

# Ophthalmology

Ophthalmology Instruments  
Catalogue

**GLORIOUS**  
danmark

GLORIOUS ENTERPRISES



Scalpal Handles	1
Micro Scissors	02 - 08
Eye Scissors	9-11
Micro Needle Holders	12 - 15
Needle Holders	16 - 19
Artery Forceps	20 - 21
Towel Clamps	21
Micro Forceps	22,30
Iris Forceps	22 -24
Suture Forceps	25
Skeleton Forceps	26
Fixation Forceps	26
Muscular Forceps	27
Advancement & Entropium Forceps	27
Trachoma Forceps	28
Strabismus Forceps	28
Capsular Forceps	29
Cilia Forceps	29
Eye Specula, Retractors	31-33
Double-ended Instruments	33,37
Cataract Knives	34
Various Eye Knives	34
Hooks and Hooklets, Retractors	35
Lens Expressors Instruments	36
Eye Spoons, Cyclodialysis Spatulas	36
Discission Needles	37
Lid Instrument	37
Calipers	38
Lacheymal Probes	38
Ear Punches	39
Cannulas	40-41

Scalpal Handles  
 Scalpal Griff  
 Poignee Scalpal



Scalpal Handle  
 41.0106.07  
 # 7



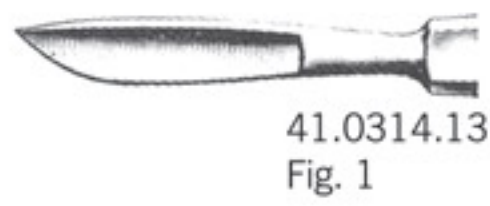
Scalpal Handle  
 41.0134.03  
 # 3



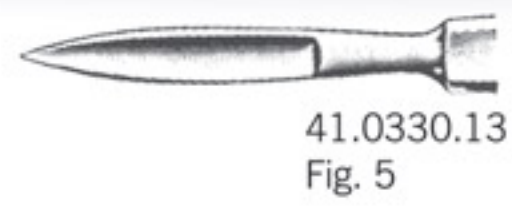
Scalpal Handle  
 41.0138.04  
 # 4



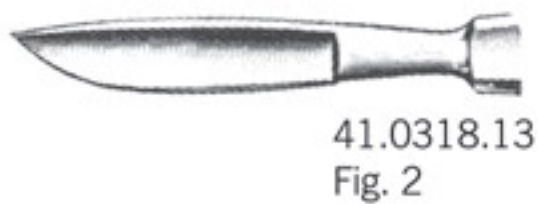
Dissecting Knives  
 41.0314.13 - 41.0342.13  
 13 cm



41.0314.13  
 Fig. 1



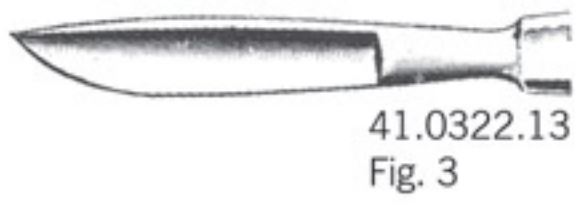
41.0330.13  
 Fig. 5



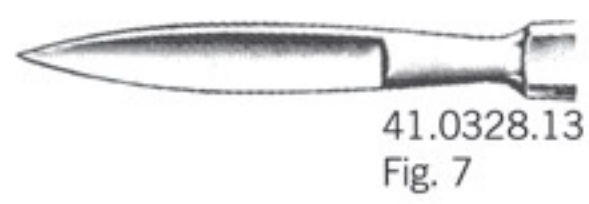
41.0318.13  
 Fig. 2



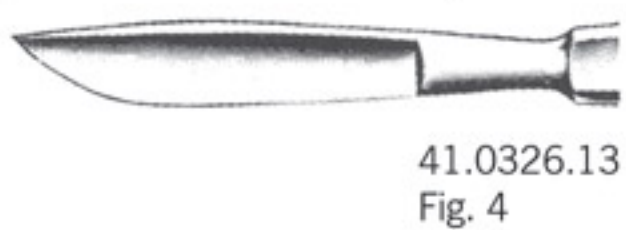
41.0334.13  
 Fig. 6



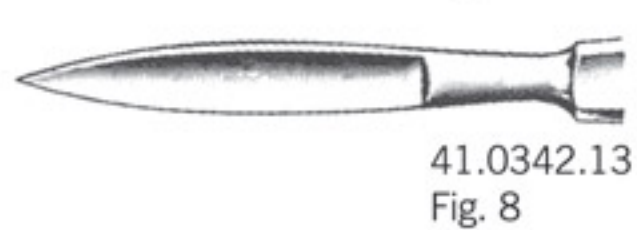
41.0322.13  
 Fig. 3



41.0328.13  
 Fig. 7



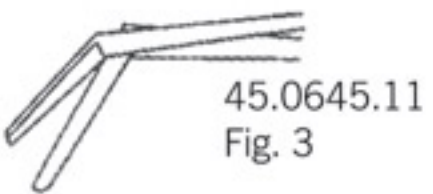
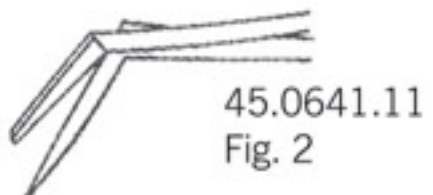
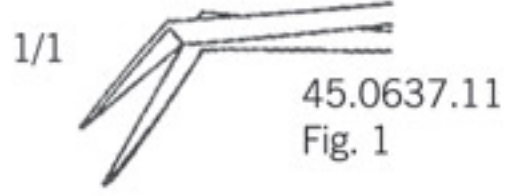
41.0326.13  
 Fig. 4



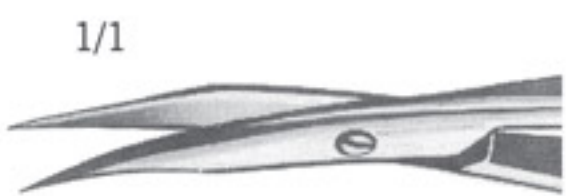
41.0342.13  
 Fig. 8



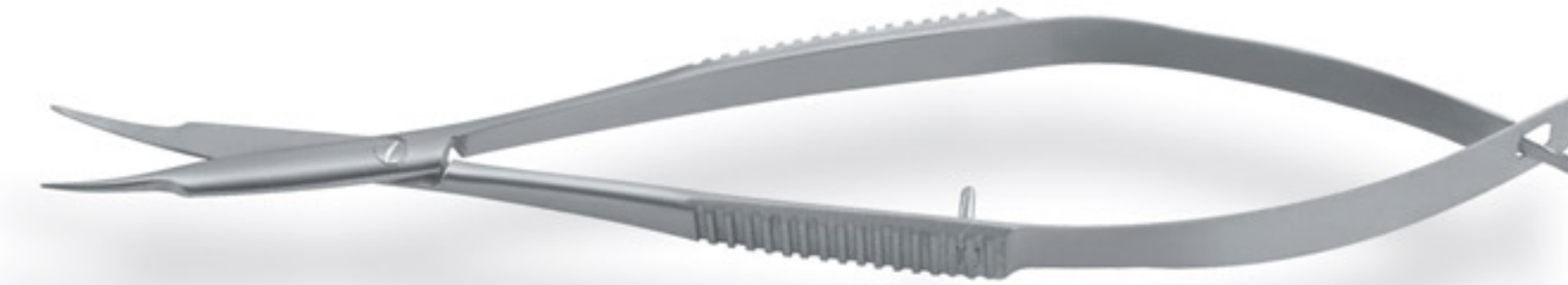
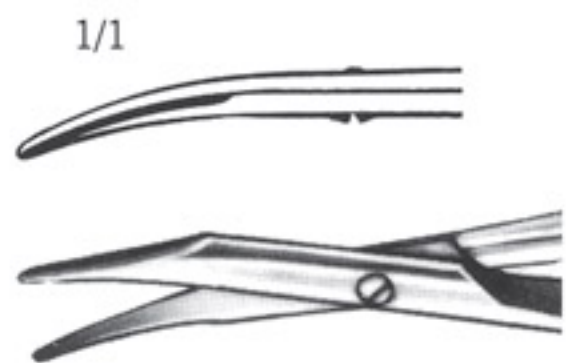
Barraquer  
 45.0649.05 5mm  
 45.0653.07 7mm  
 45.0657.10 10mm  
 5.5 cm



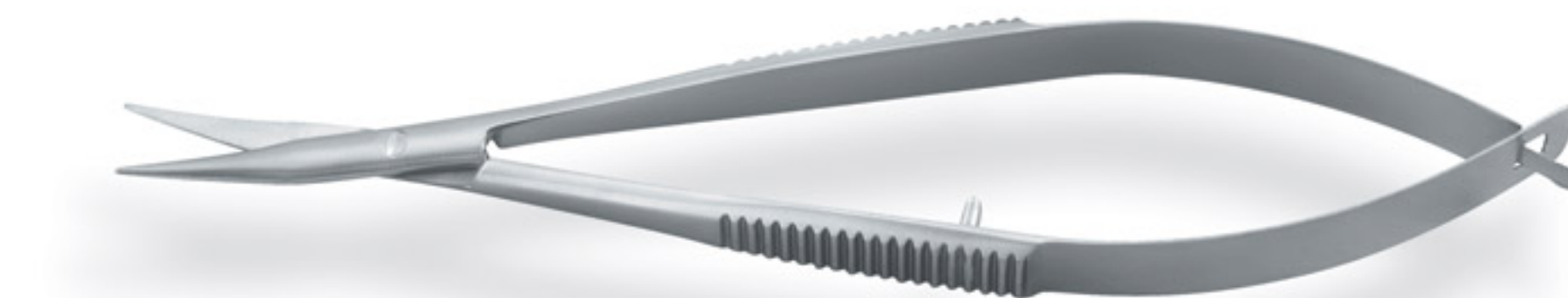
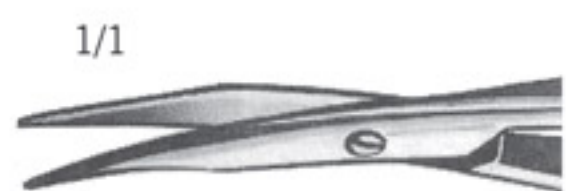
Wecker  
 45.0637.11 - 45.0645.11  
 11 cm



Westcott  
 45.0457.12  
 12 cm , Cvd

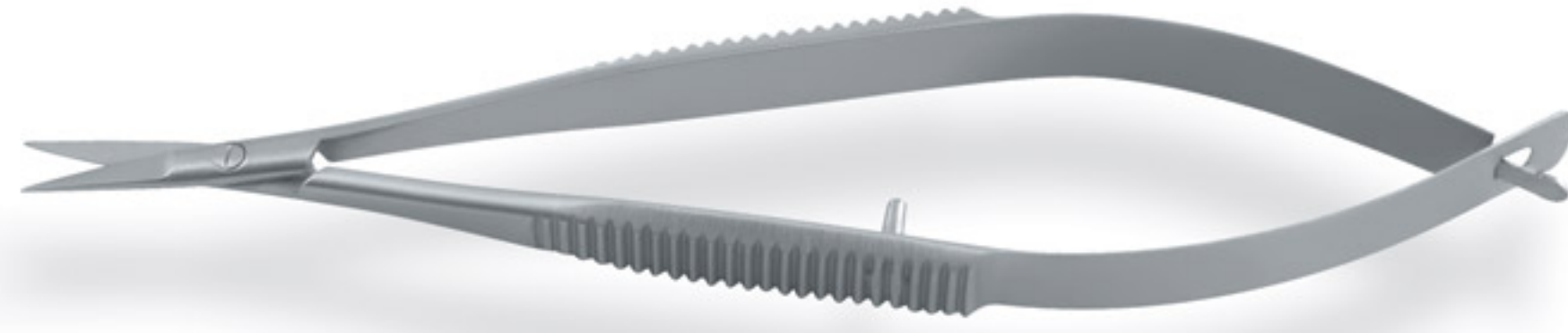


Westcott  
 45.1894.11  
 11 cm



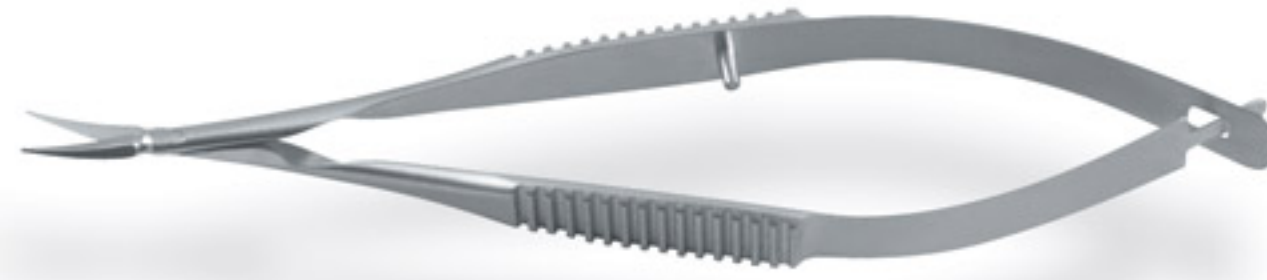
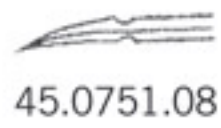
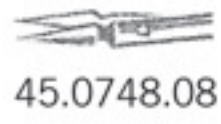
Westcott  
 45.1906.11  
 11 cm

Micro Scissors  
 Micro Scissors  
 Micro Ciseaux

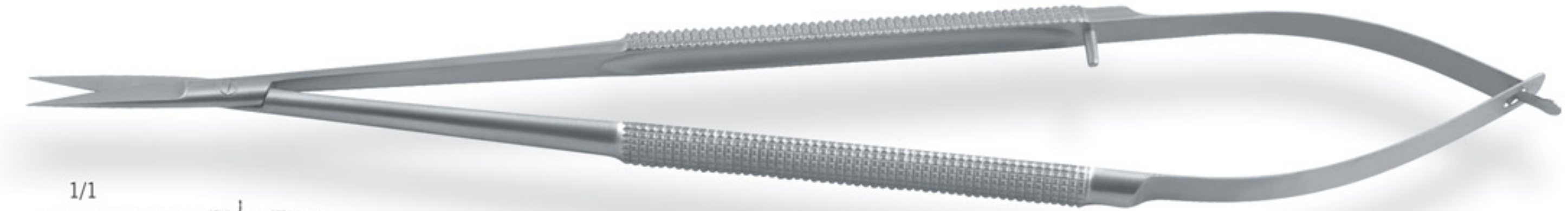
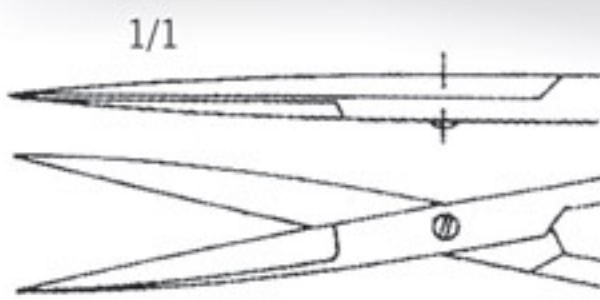


Westcott  
 45.0462.11  
 11 cm

1/1

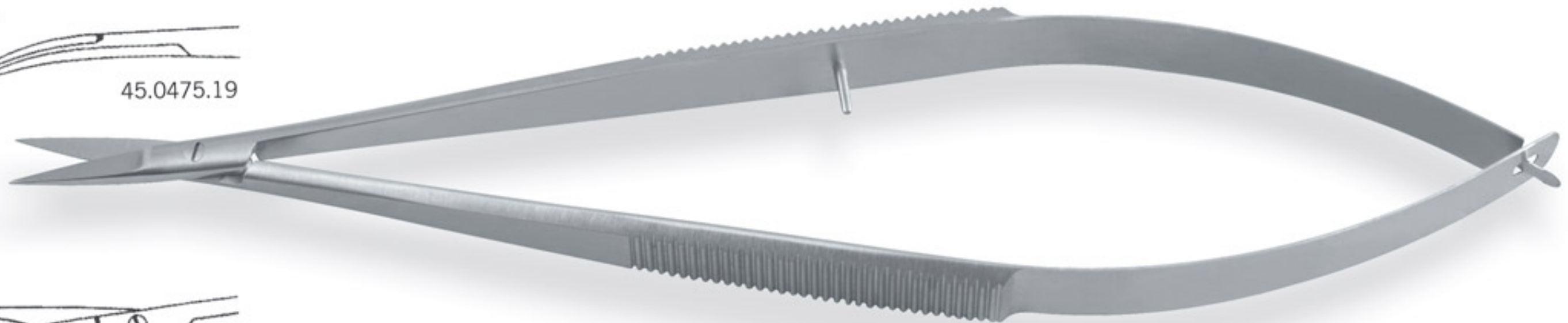
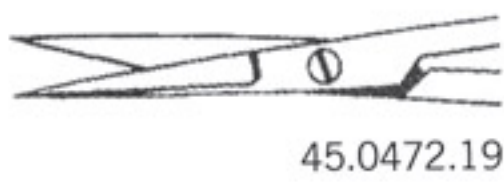
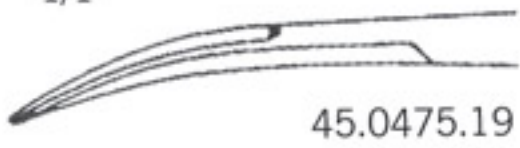


Vannas  
 45.0748.08 - 45.769.08  
 8.0 cm



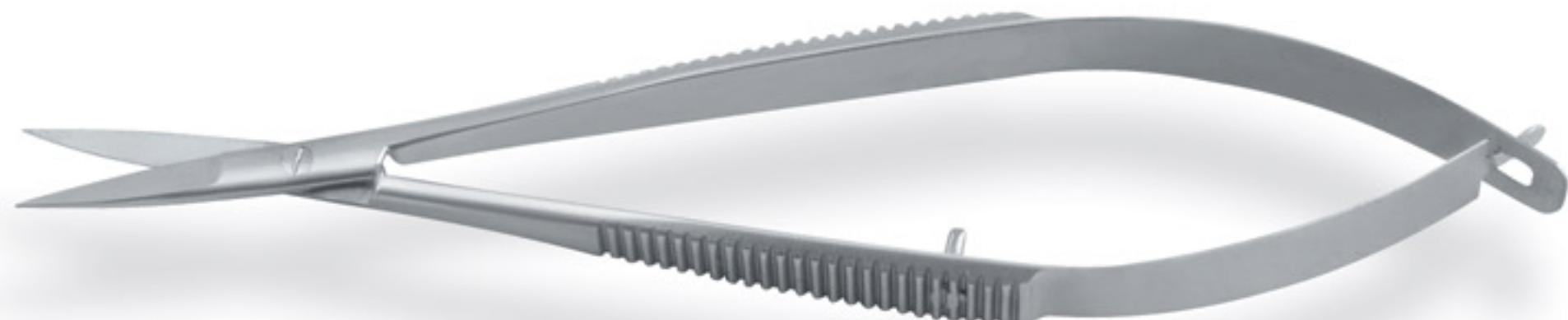
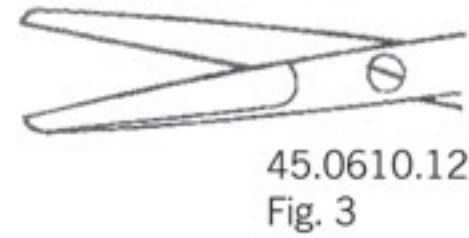
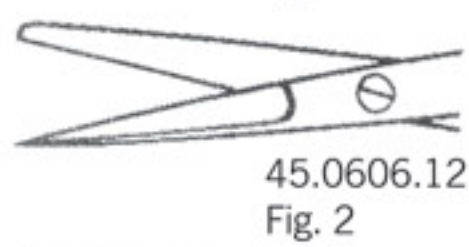
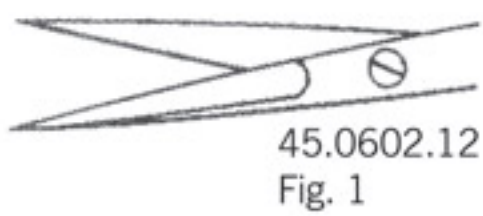
45.0708.18  
 18 cm

1/1

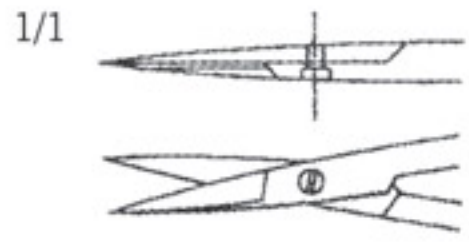


45.0472.19 - 45.0475.19  
 19 cm

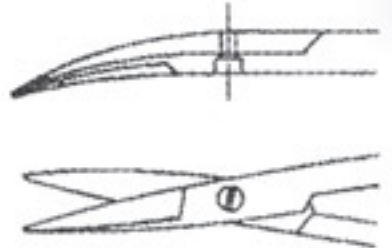
1/1



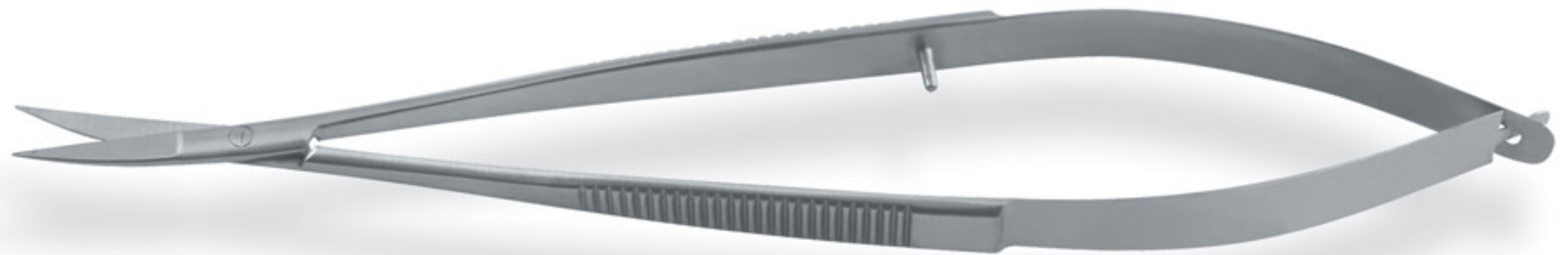
Noyes  
 45.0602.12 - 45.610.12  
 12 cm



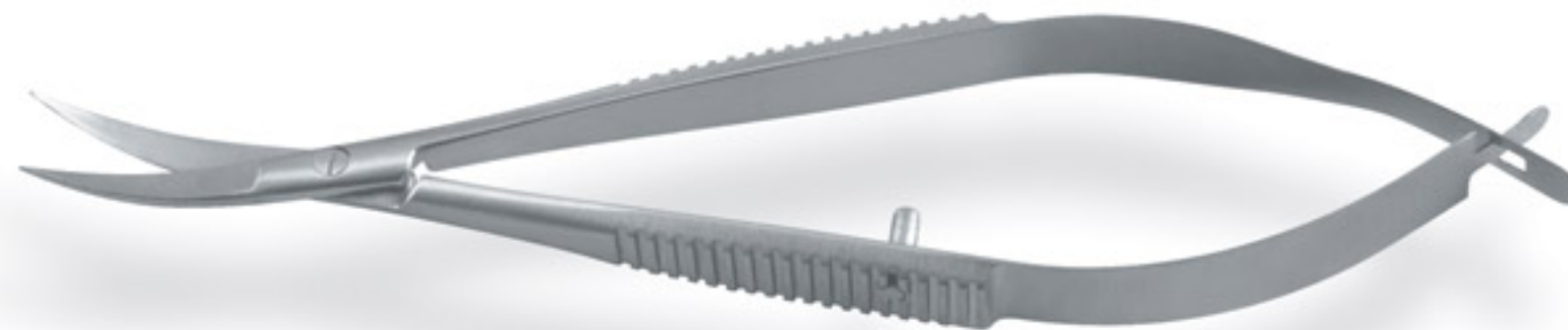
45.0686.15



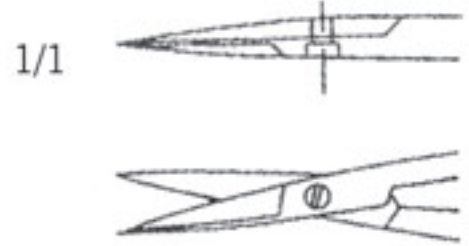
45.0687.15



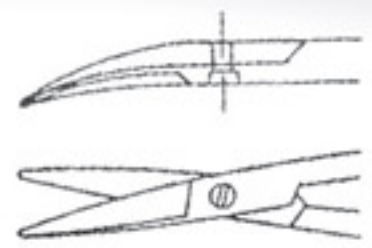
45.0686.15 - 45.0687.15  
15 cm



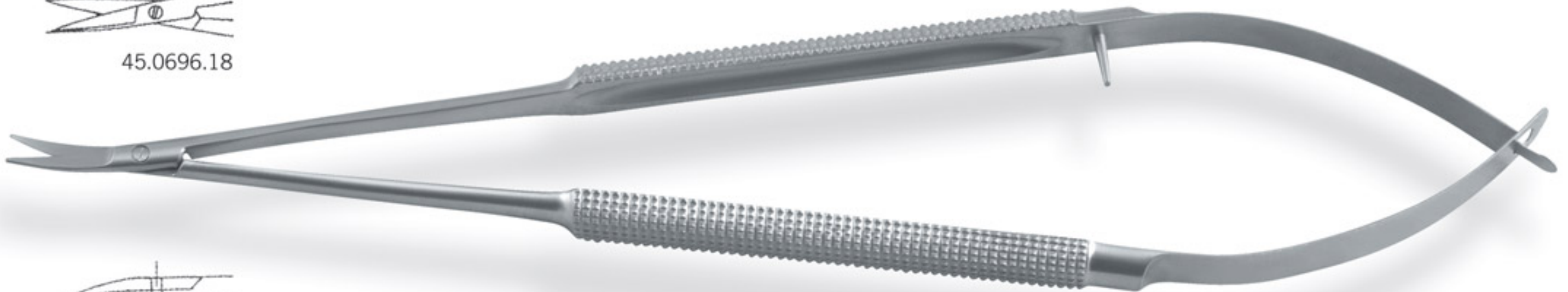
Catroviejo  
45.0793.10  
10 cm



45.0696.18



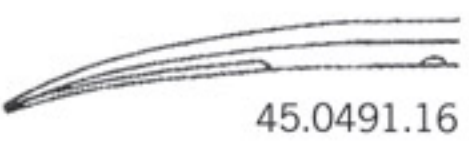
45.0699.18



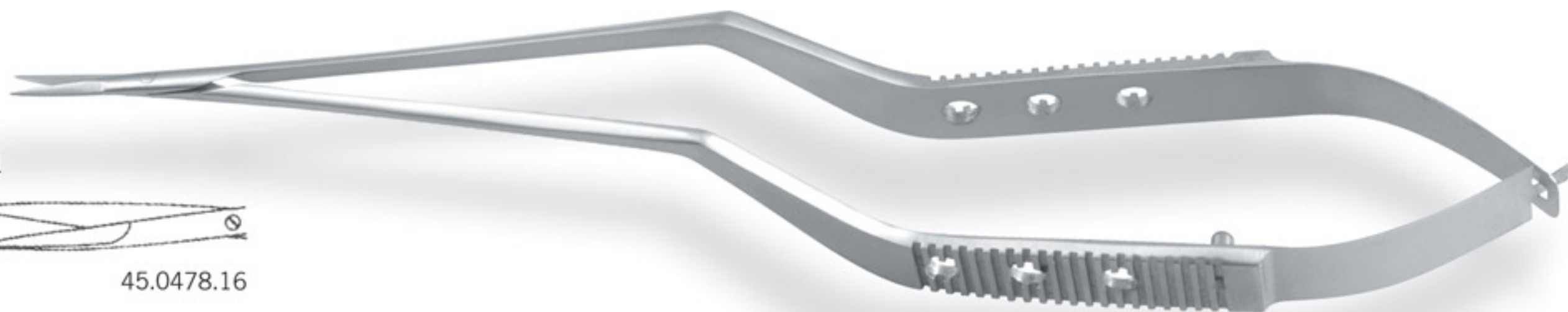
45.0696.18 - 45.0699.18  
18 cm



45.0478.16



45.0491.16

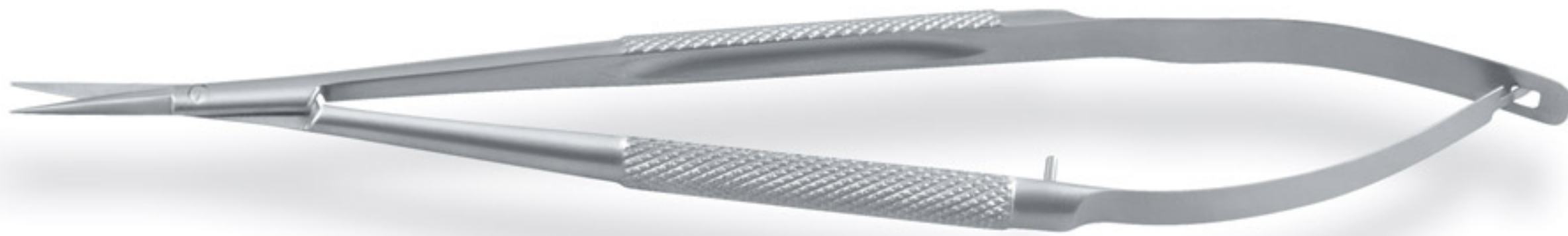


45.0478.16 - 45.0491.16  
16 cm

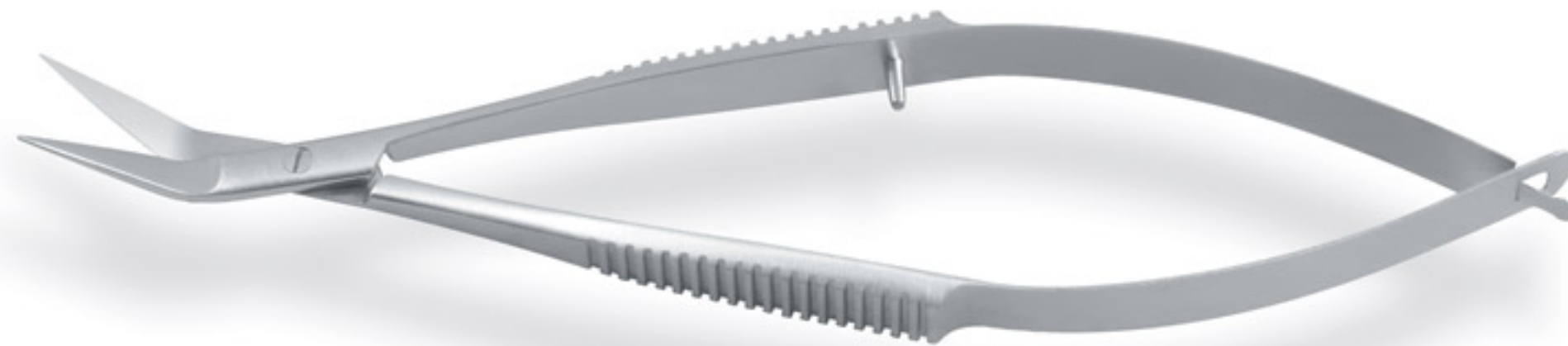
Micro Scissors  
Micro Scissors  
Micro Ciseaux



45.1902.10  
10 cm

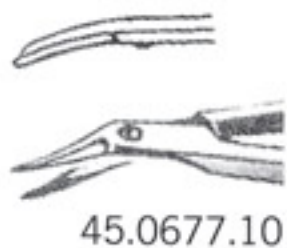


Micro Scissor - Round Handle  
45.1898.15  
15 cm



Noyes  
45.0625.12  
12 cm

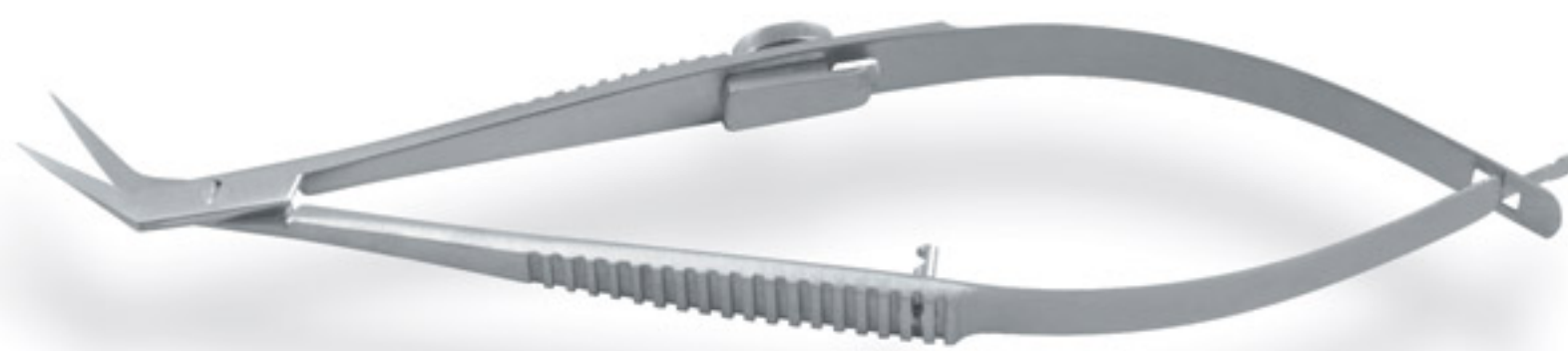
1/1



45.0677.10

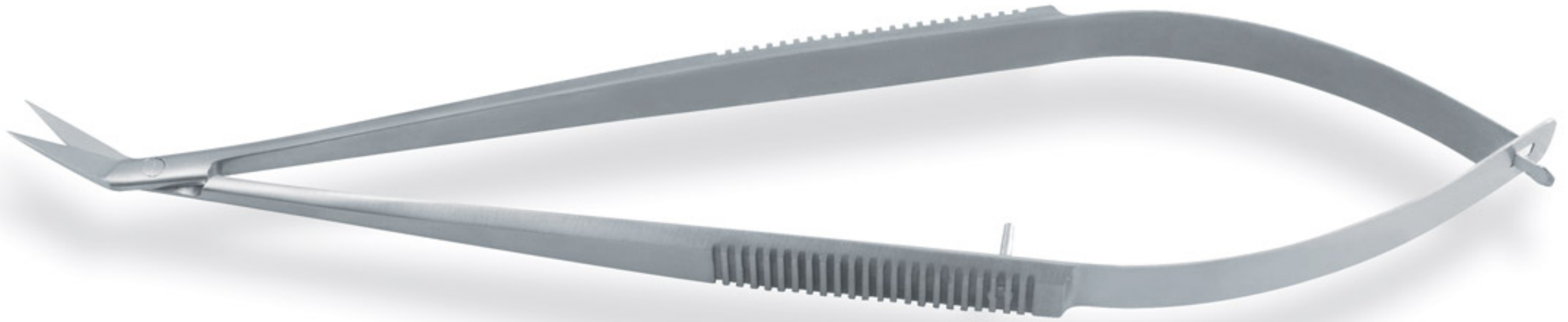


45.0681.10



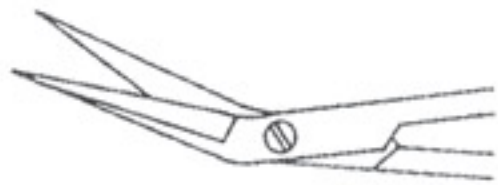
Katzin-Barraquer  
45.0677.10 - 45.0681.10  
10 cm



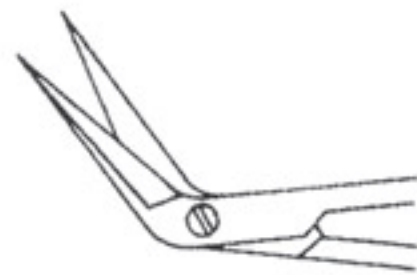


45.0545.18 - 45.0567.18  
18 cm

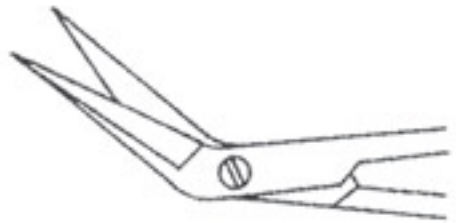
1/1



45.0545.18  
25°



45.0561.18  
60°



45.0553.18  
45°



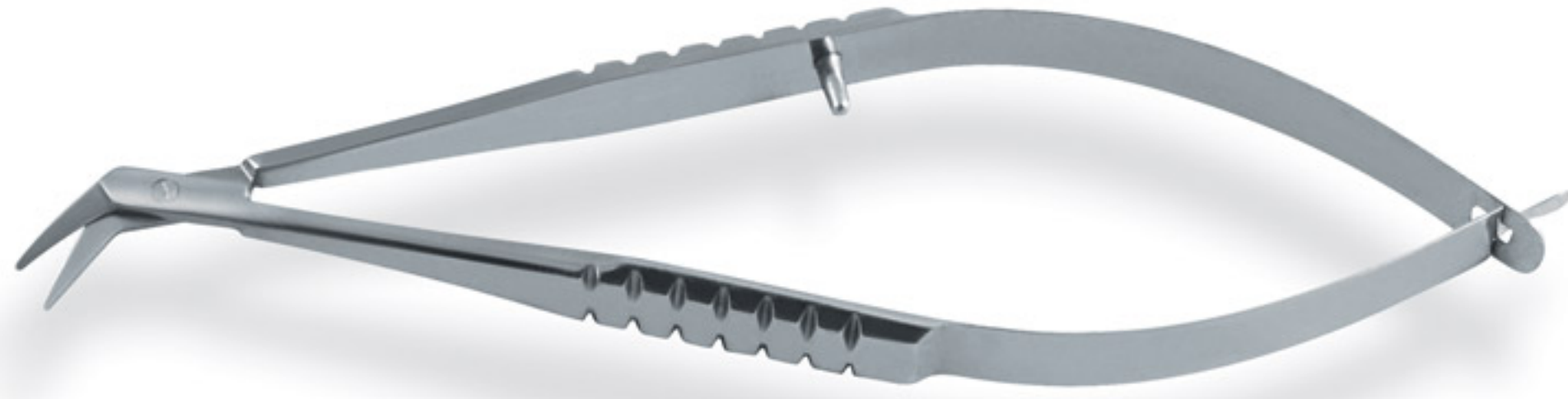
45.0567.18  
90°

1/1



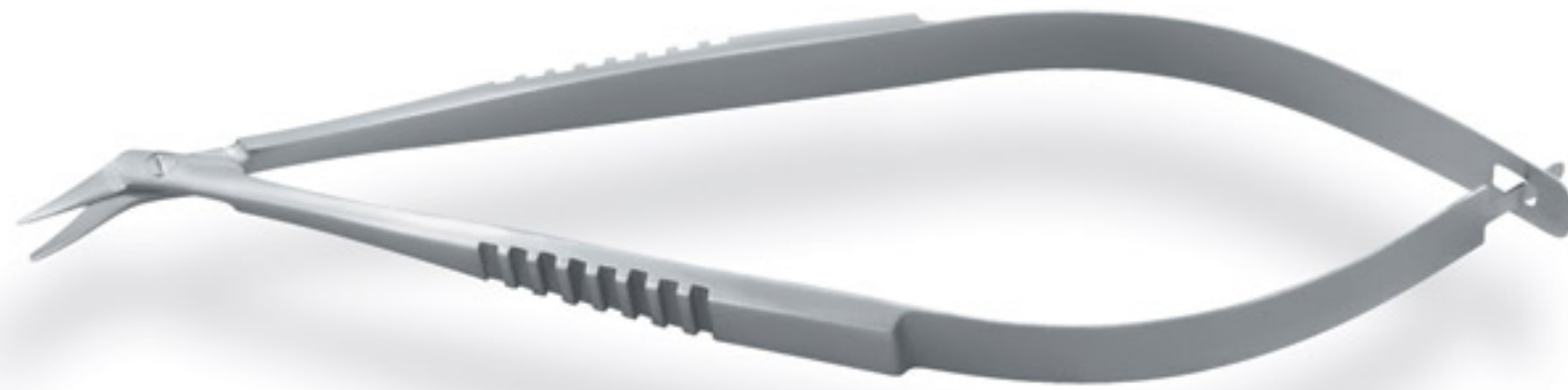
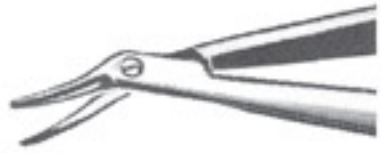
Castroviejo  
45.0809.11  
11 cm

Micro Scissors  
Micro Scissors  
Micro Ciseaux



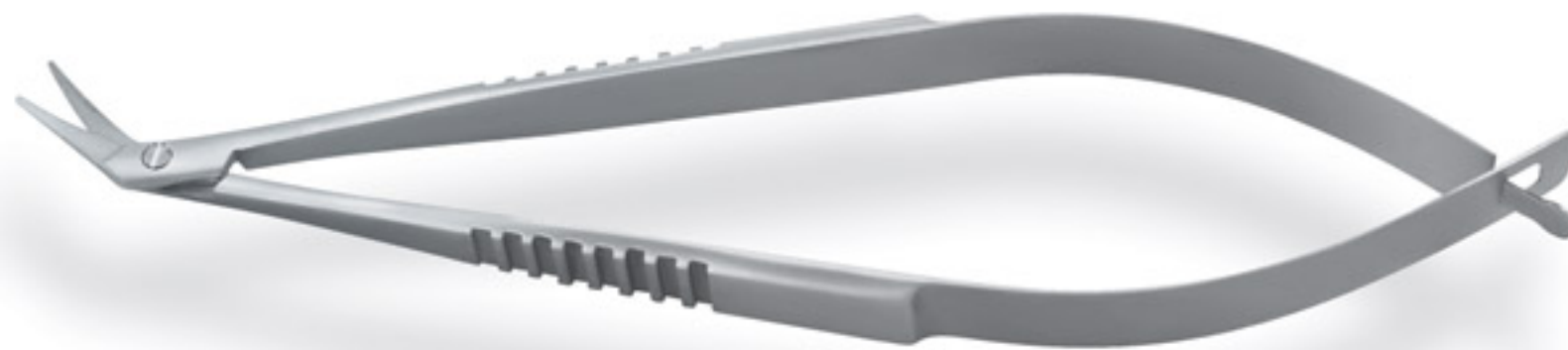
Castroviejo  
45.1910.00

1/1



Troutman  
45.1914.10  
10 cm

1/1



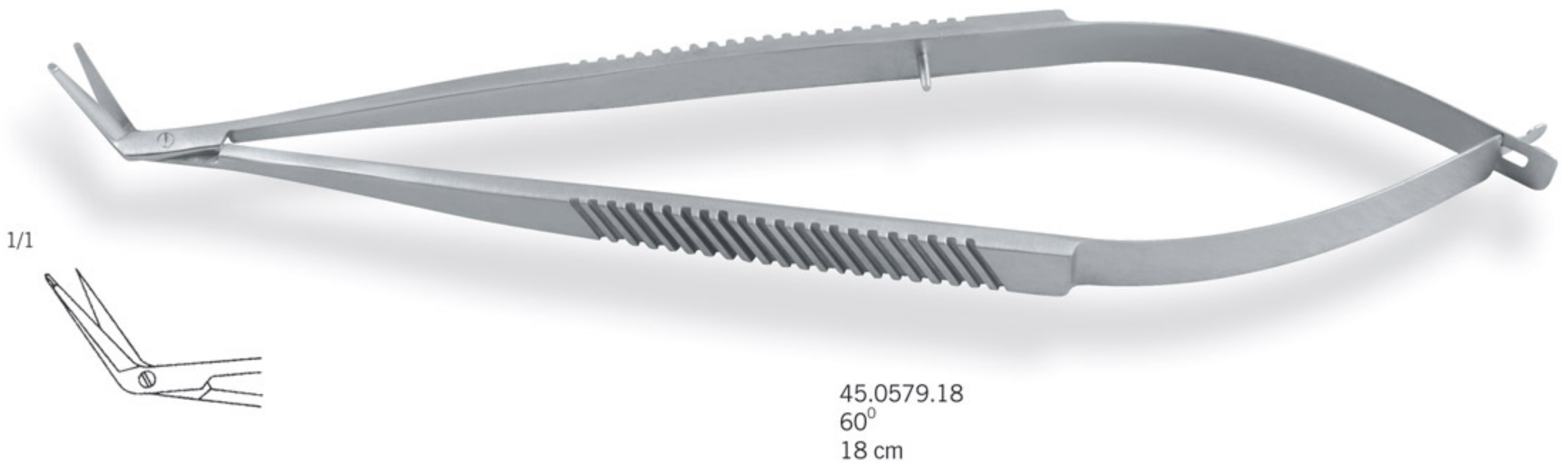
Troutman  
45.1922.10  
10 cm



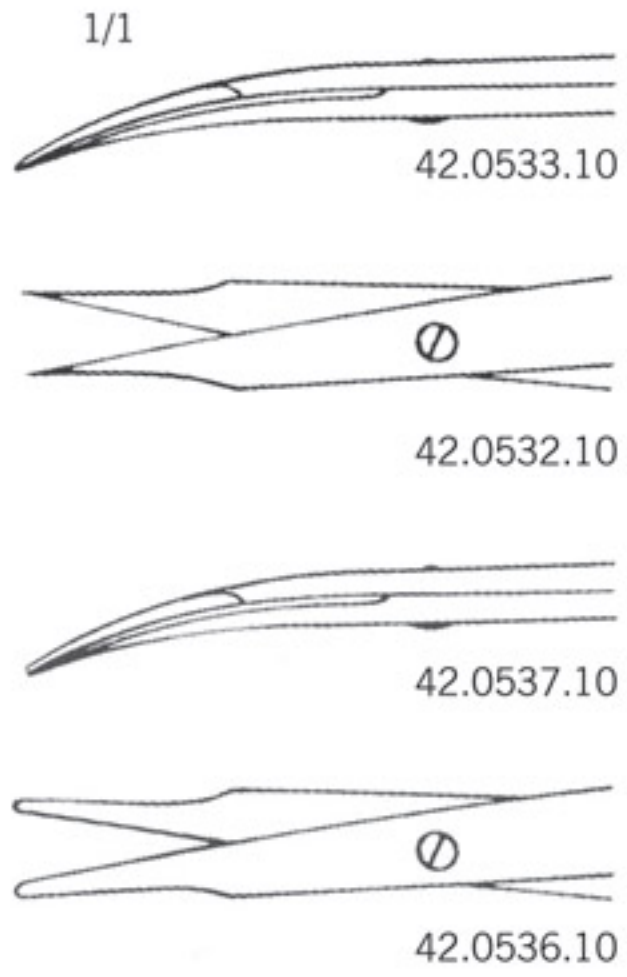
1/1



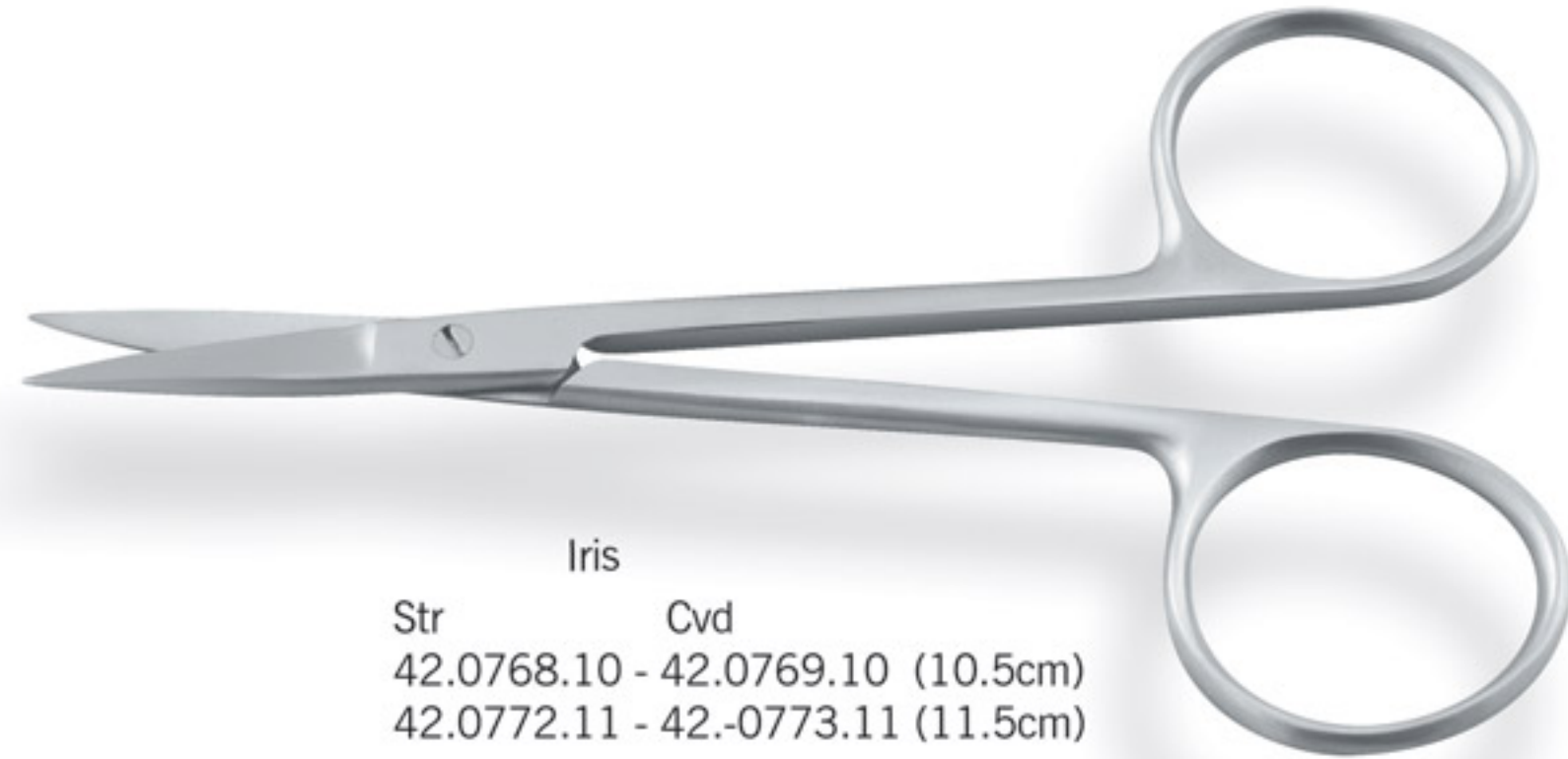
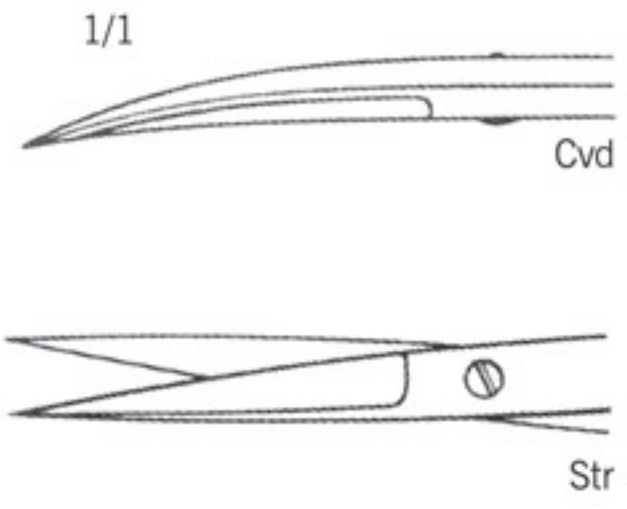
45.1918.15  
15 cm



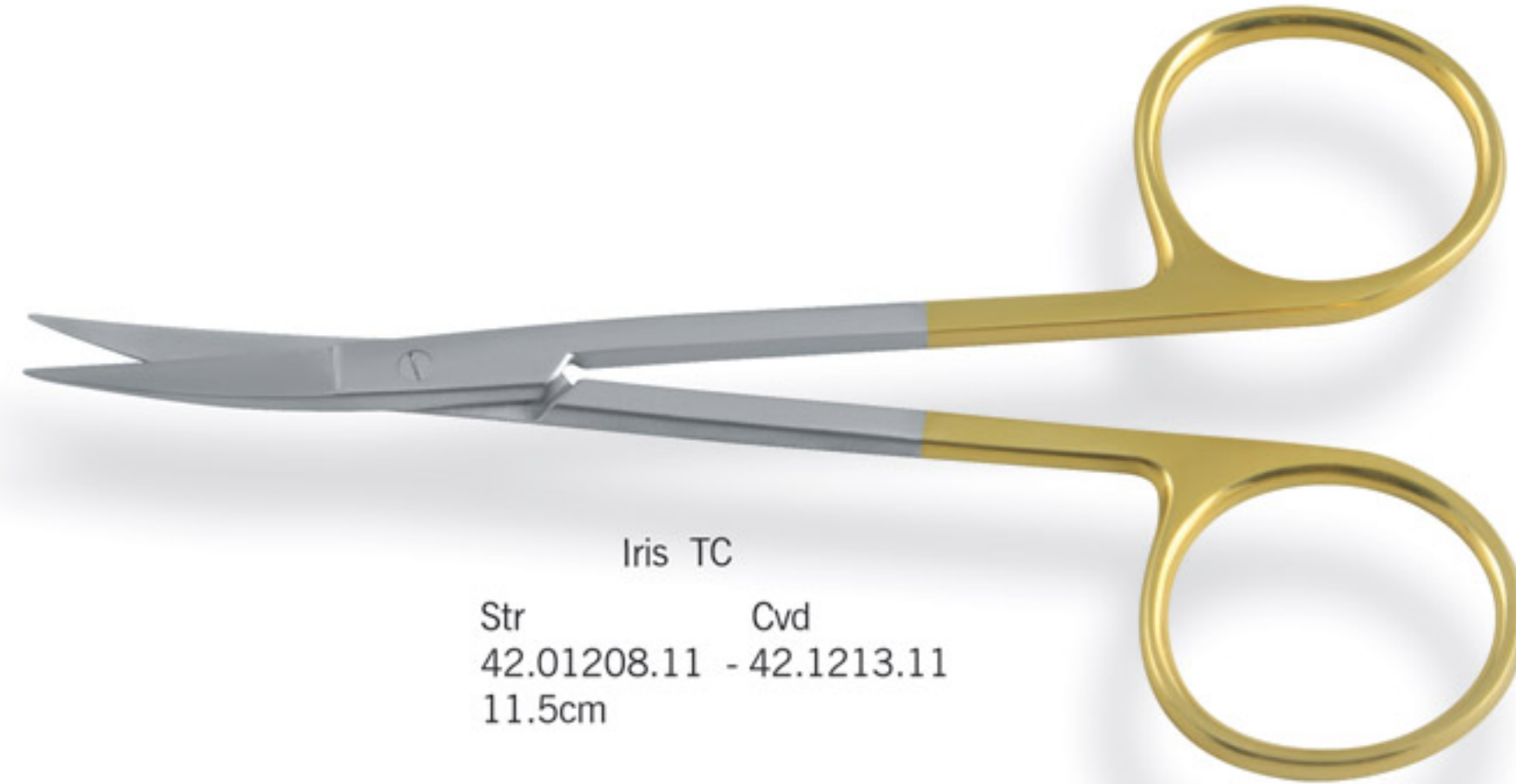
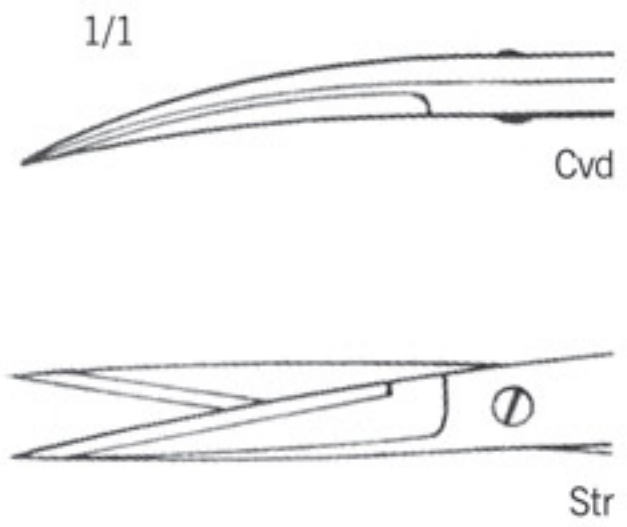
Eye Scissors  
 Eye Scissors  
 Ciseaux Oculaires



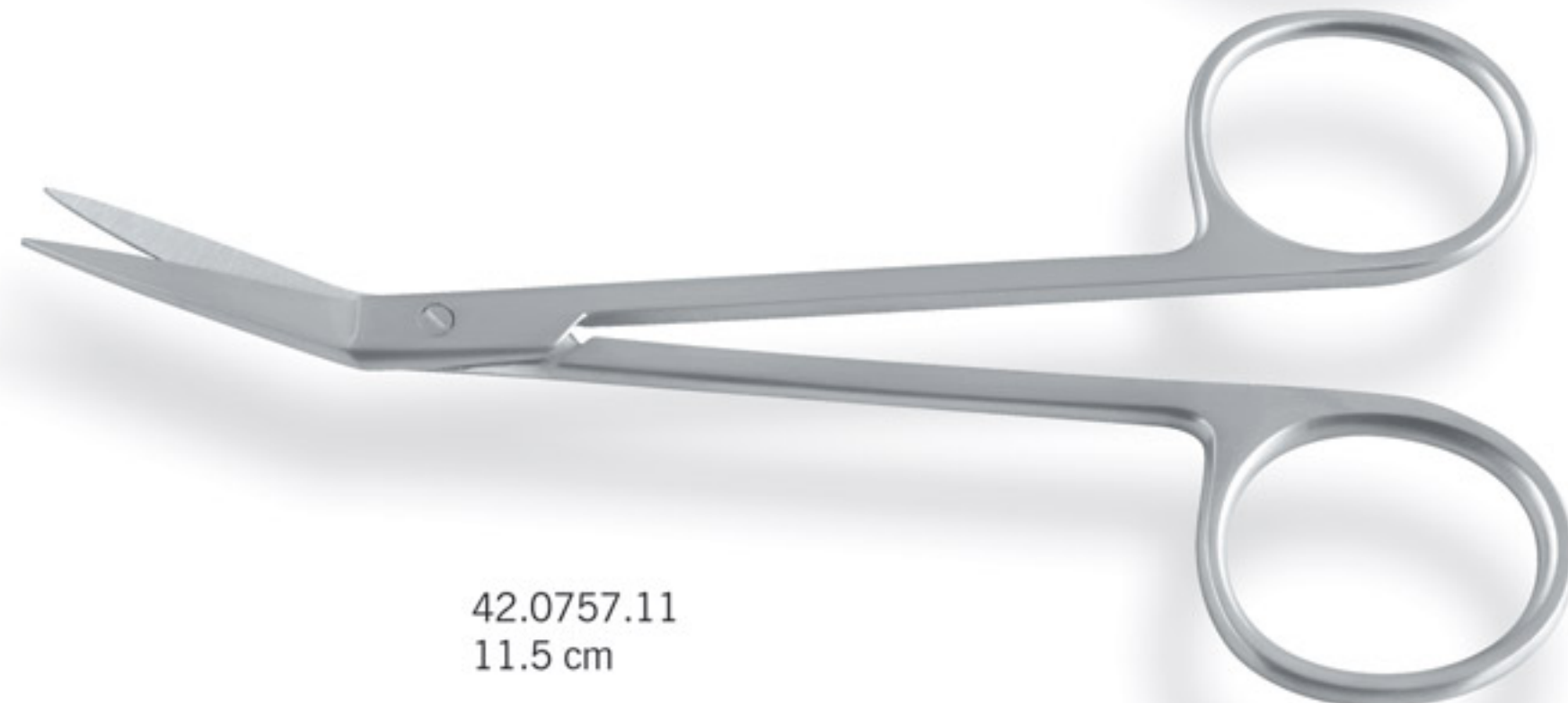
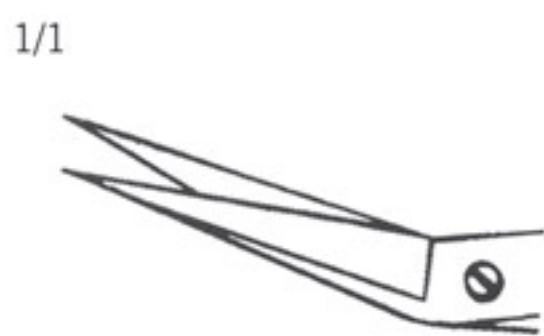
Stevens  
 Str Cvd  
 42.0532.10 - 42.0533.10  
 42.0536.10 - 42.0537.10  
 10.5 cm



Iris  
 Str Cvd  
 42.0768.10 - 42.0769.10 (10.5cm)  
 42.0772.11 - 42.0773.11 (11.5cm)

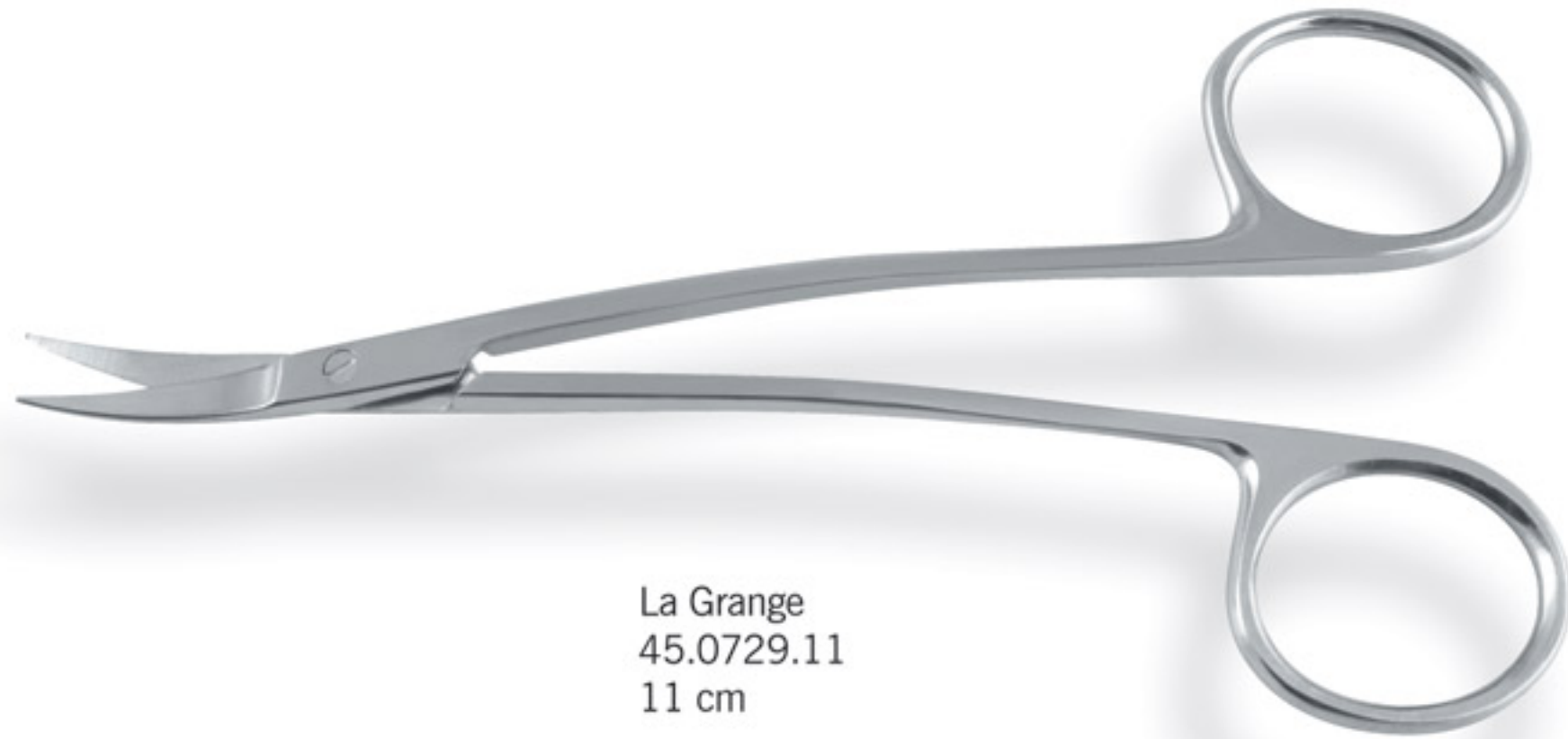
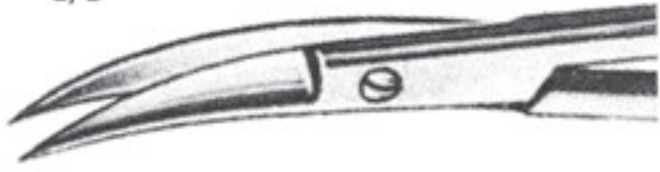


Iris TC  
 Str Cvd  
 42.01208.11 - 42.1213.11  
 11.5cm

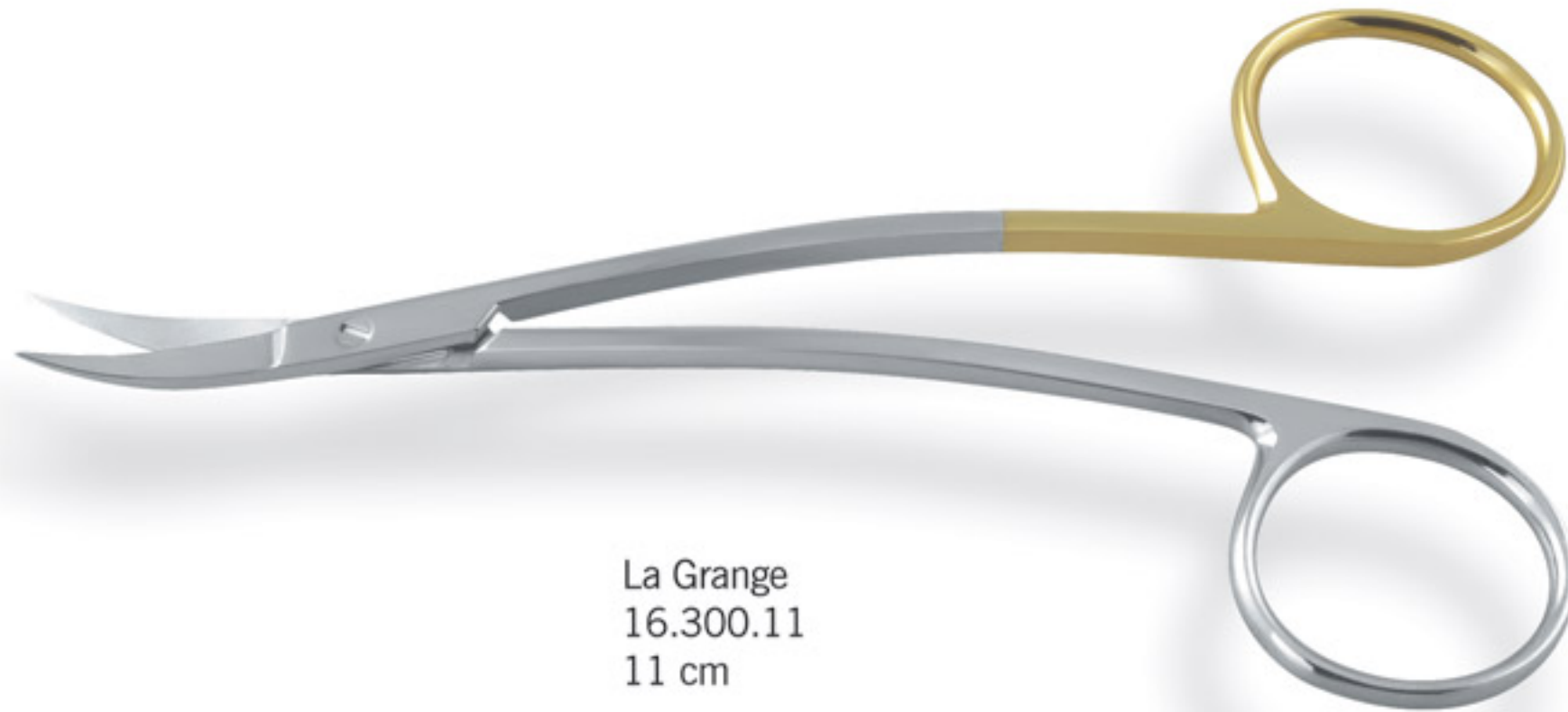


42.0757.11  
 11.5 cm

1/1

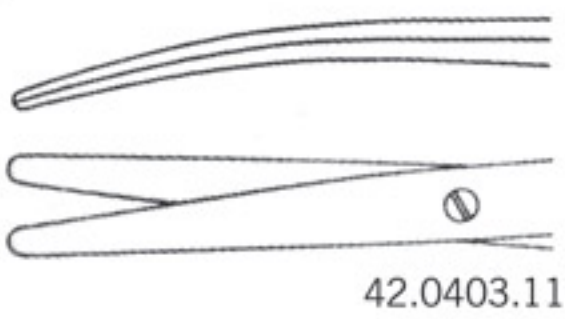


La Grange  
45.0729.11  
11 cm

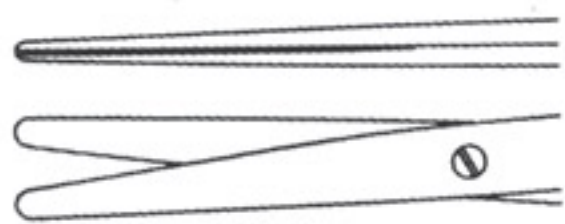


La Grange  
16.300.11  
11 cm

1/1



42.0403.11



42.0402.11



Metzenbaum  
42.0402.11- 42.0403-11  
11 cm

1/1

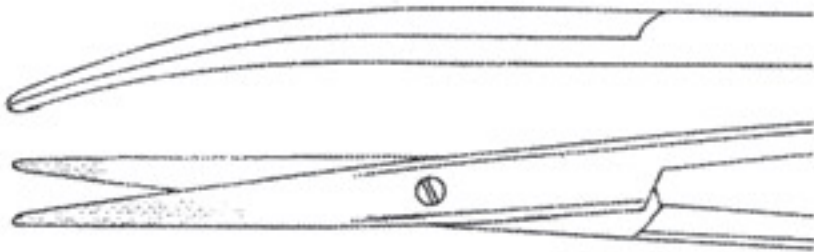


Wagner  
42.0800.12  
12 cm

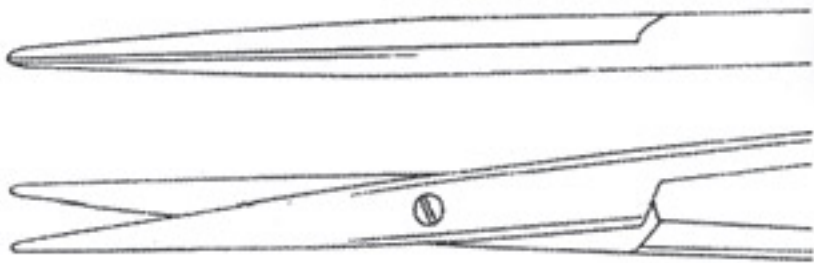
Eye Scissors  
Eye Scissors  
Ciseaux Oculaires



1/1



16.179.11



16.178.11

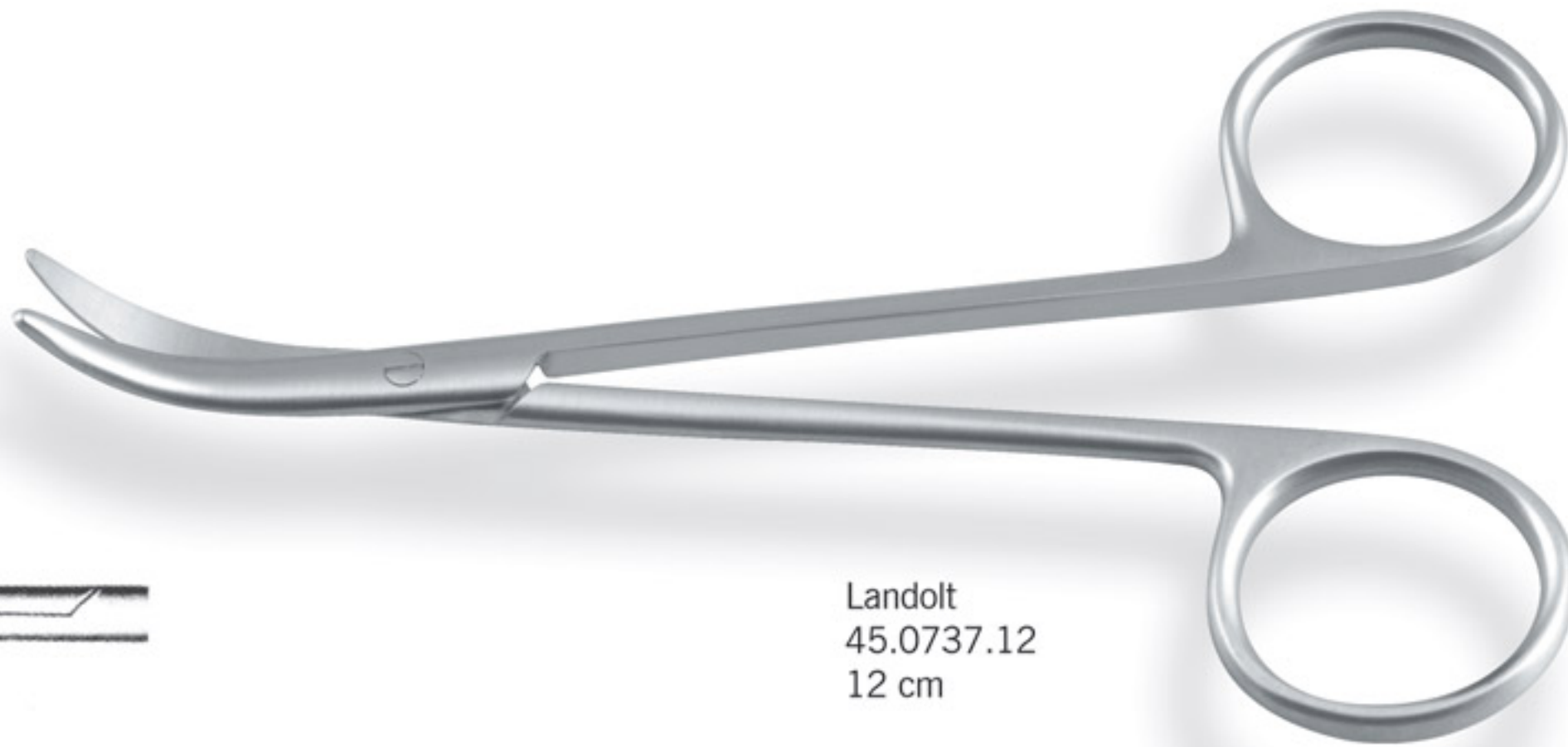


Strabismus  
16.178.11 - 16.179.11  
11 cm

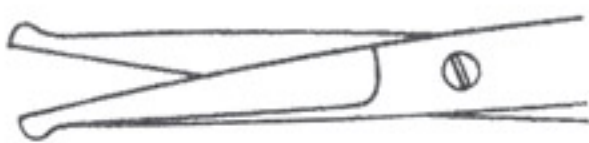
1/1



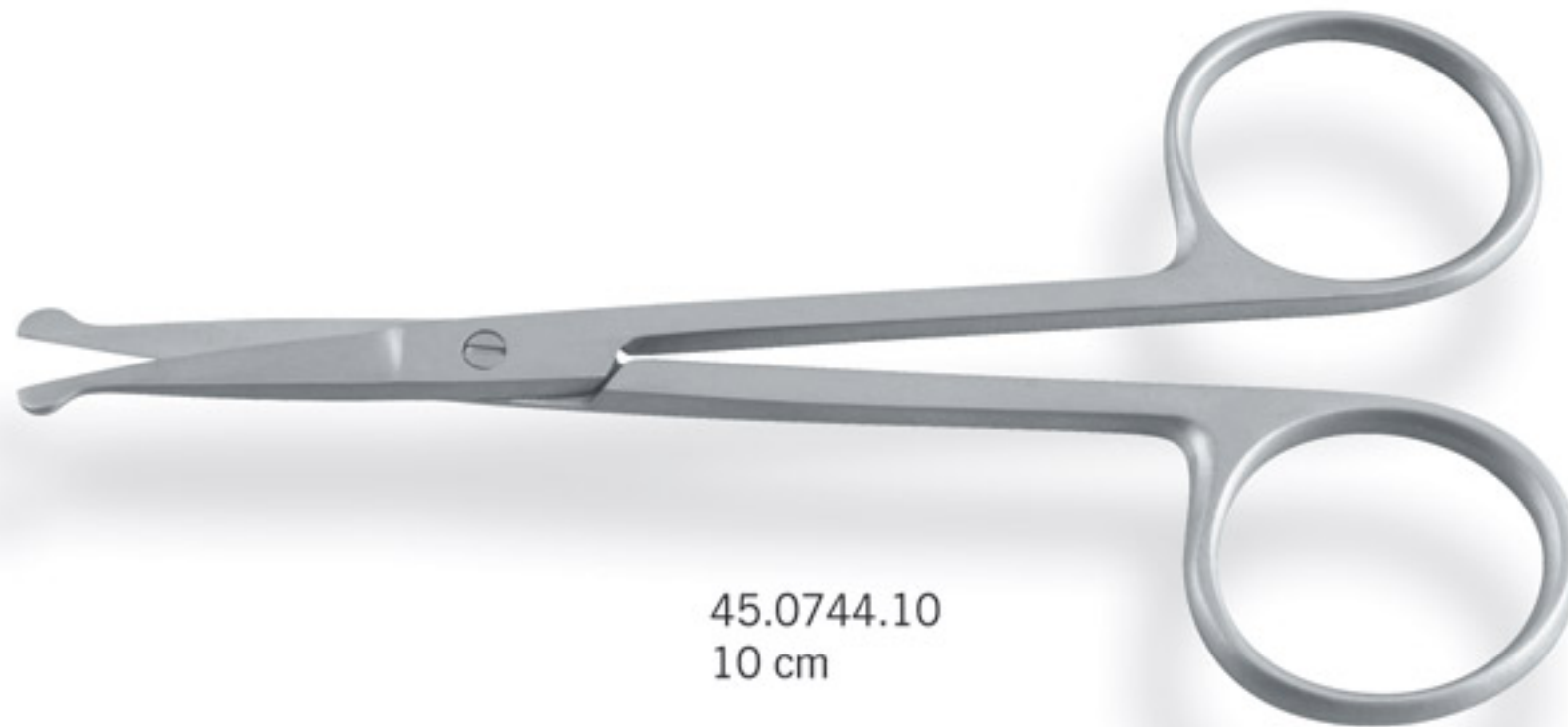
Landolt  
45.0737.12  
12 cm



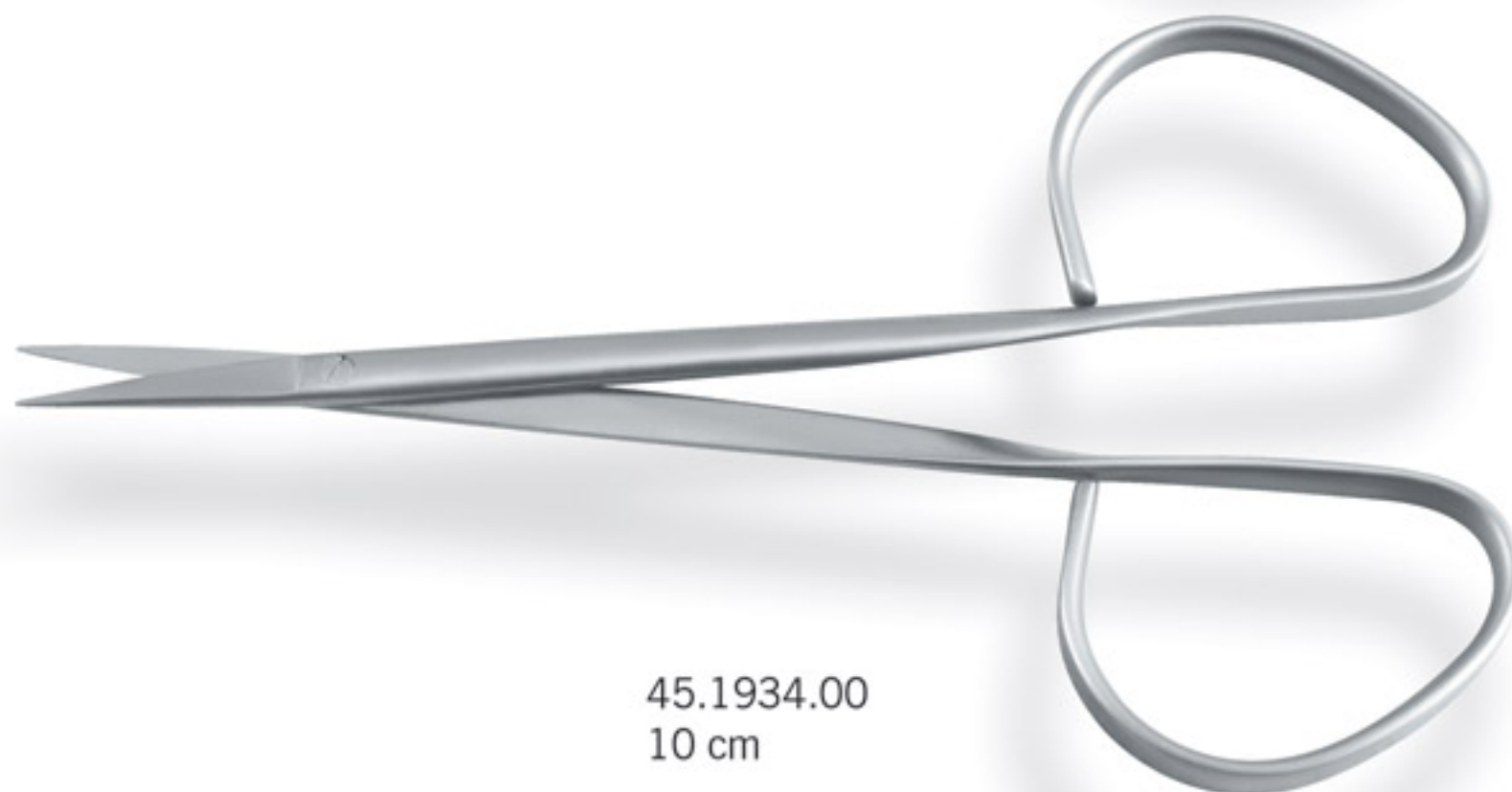
1/1



45.0744.10  
10 cm



45.1934.00  
10 cm



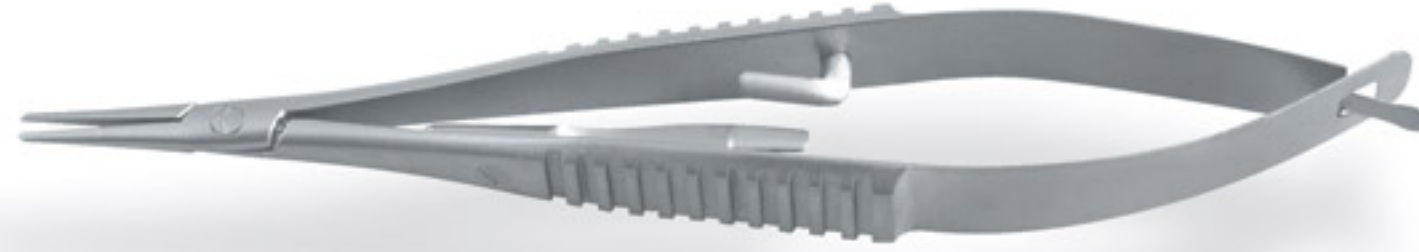
1/1



46.0811.09  
 46.1811.09



46.0808.09  
 46.1808.09

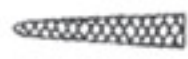


Castroviejo  
 46.0808.09 - 46.0811.09  
 46.1808.09 - 46.1811.09 **Titanium**  
 9 cm

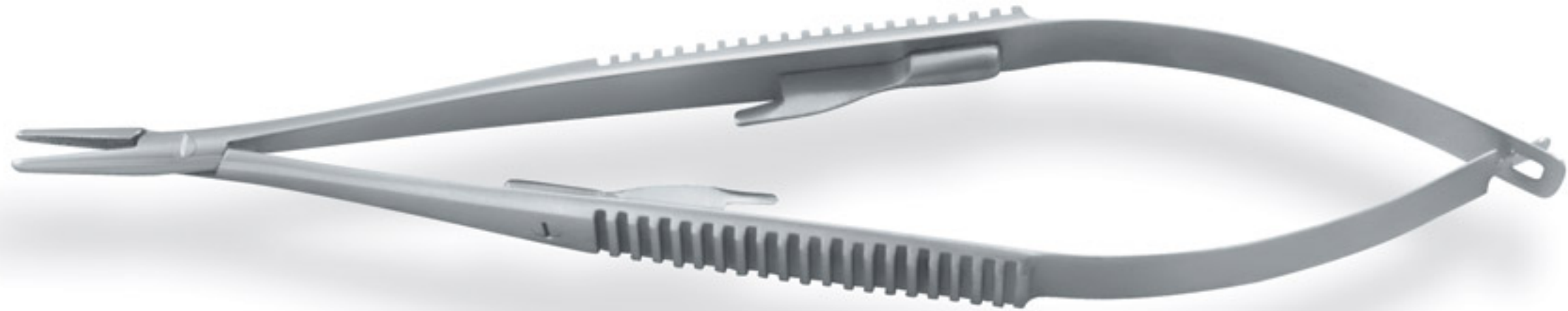
1/1



19.0141.14  
 19.1451.14



19.0140.14  
 19.1450.14



Castroviejo  
 19.0140.14 - 19.0141.14  
 19.1450.14 - 19.1451.14 **Titanium**  
 14 cm

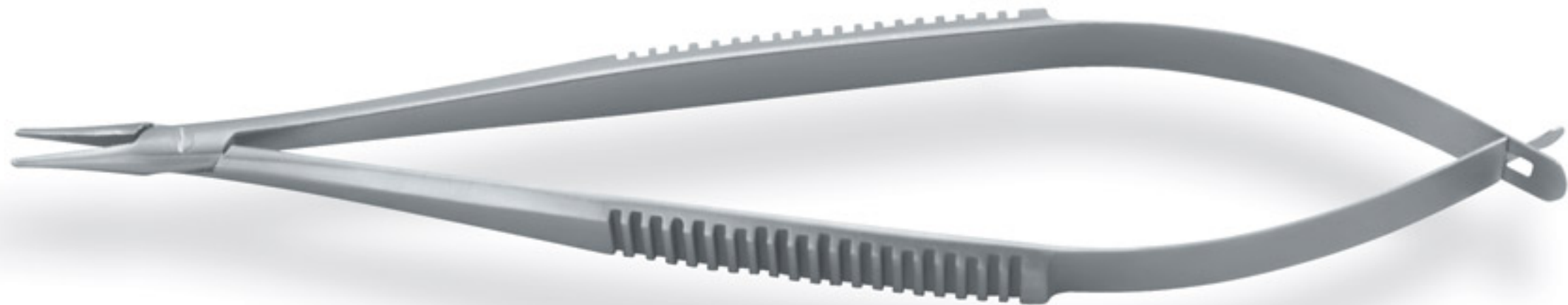
1/1



46.0831.14  
 46.1831.14



46.0828.14  
 46.1828.14

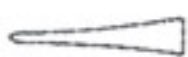


Castroviejo  
 46.0828.14 - 46.0831.14  
 46.1828.14 - 46.1831.14 **Titanium**  
 14 cm

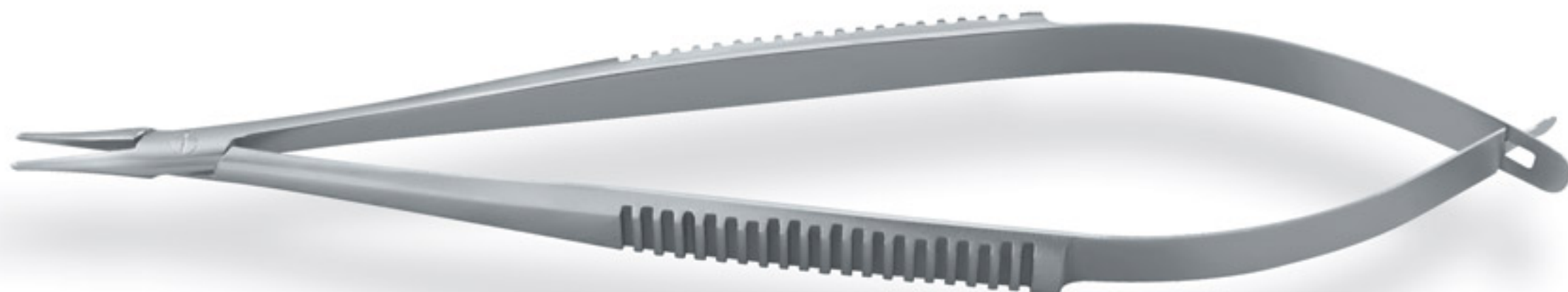
1/1



46.0825.14  
 46.1825.14

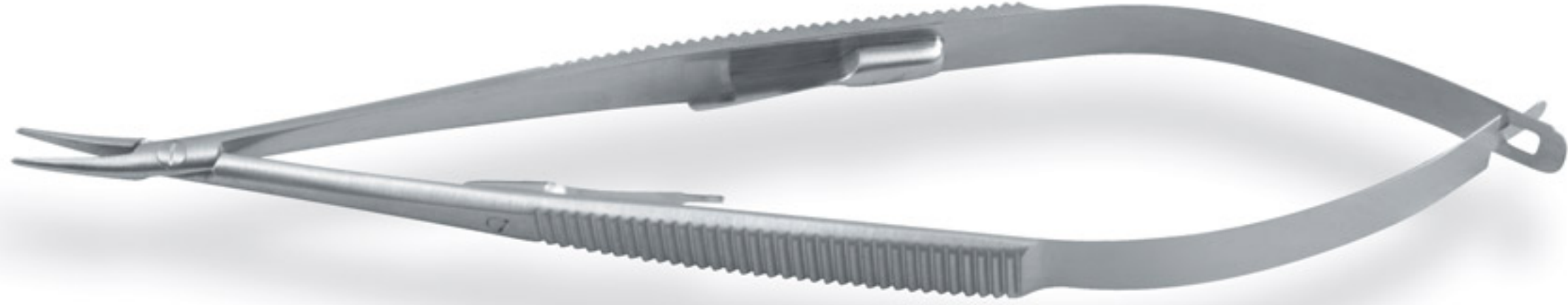


46.0822.14  
 46.1822.14



Castroviejo  
 46.0822.14 - 46.0825.14  
 46.1822.14 - 46.1825.14 **Titanium**  
 14 cm

Micro Needle Holders  
 Mikro Nadelhalter  
 Micro Porte-aiguilles



Castroviejo  
 45.1712.14  
 45.1713.14 **Titanium**  
 14 cm

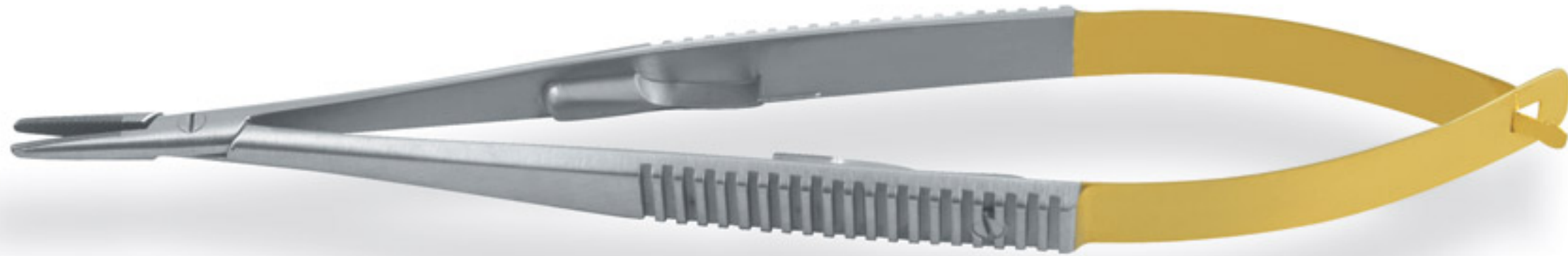
1/1



46.0669.14

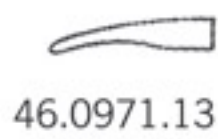


46.0664.14

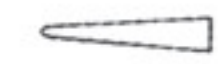


Castroviejo TC  
 46.0664.14 - 46.0669.14  
 14 cm

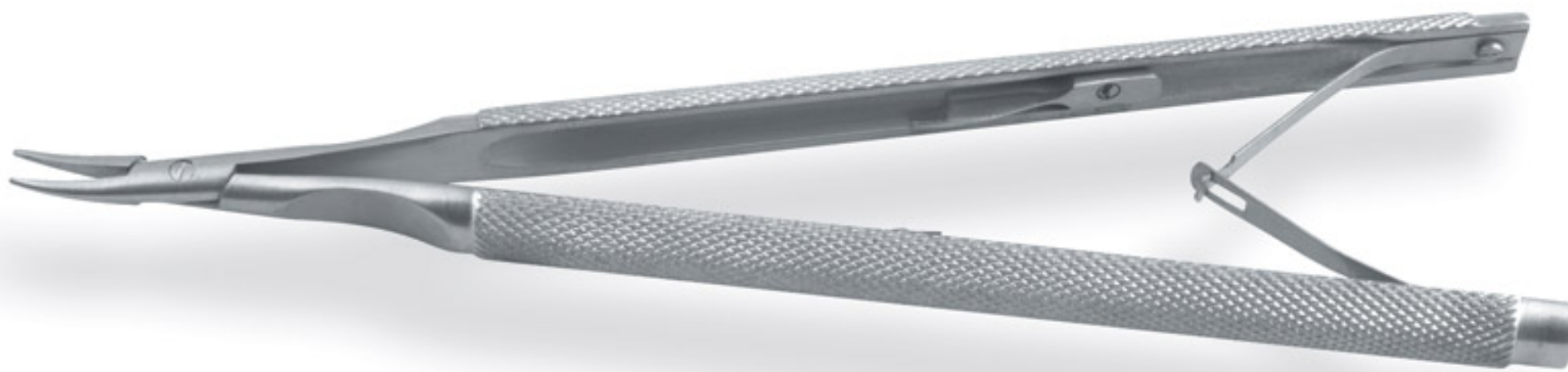
1/1



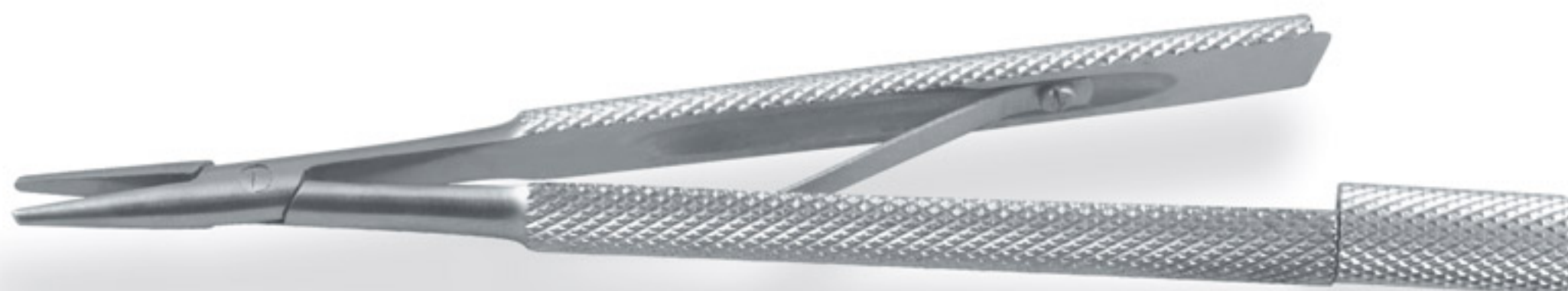
46.0971.13



46.0968.13



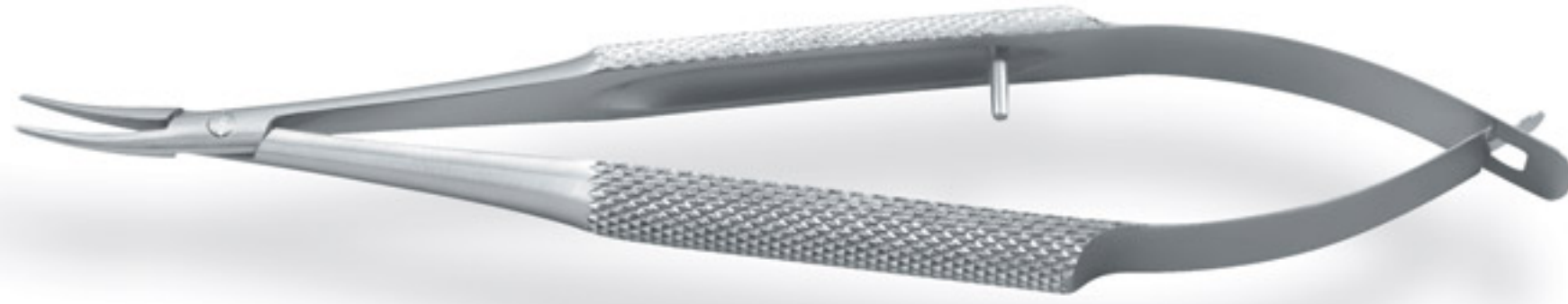
Castroviejo  
 46.0968.13 - 46.0971.13  
 13 cm



Castroviejo  
 45.1724.08 9 cm  
 45.1728.13 13 cm



1/1



Barraquer  
46.0871.11  
46.1871.11 Titanium  
11 cm

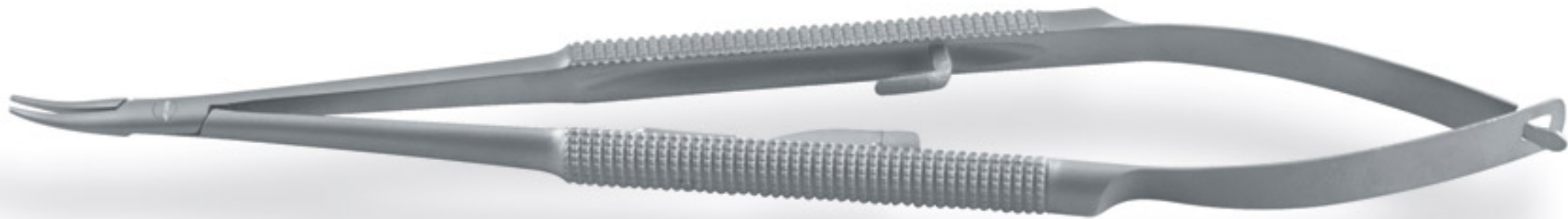
1/1



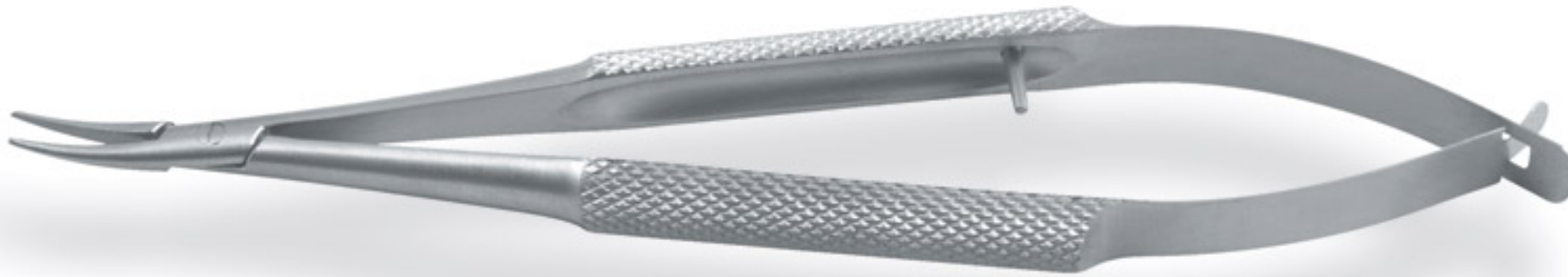
46.0887.14  
46.1887.14



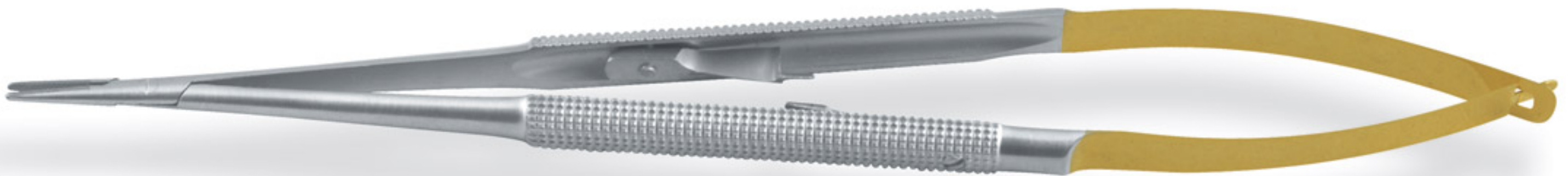
46.0884.14  
46.1884.14



Barraquer  
46.0884.14 - 46.0887.14  
46.1884.14 - 46.1887.14 Titanium  
14 cm



Barraquer  
45.1708.12  
45.1709.12 Titanium  
14 cm



Barraquer TC  
45.1716.18  
18 cm



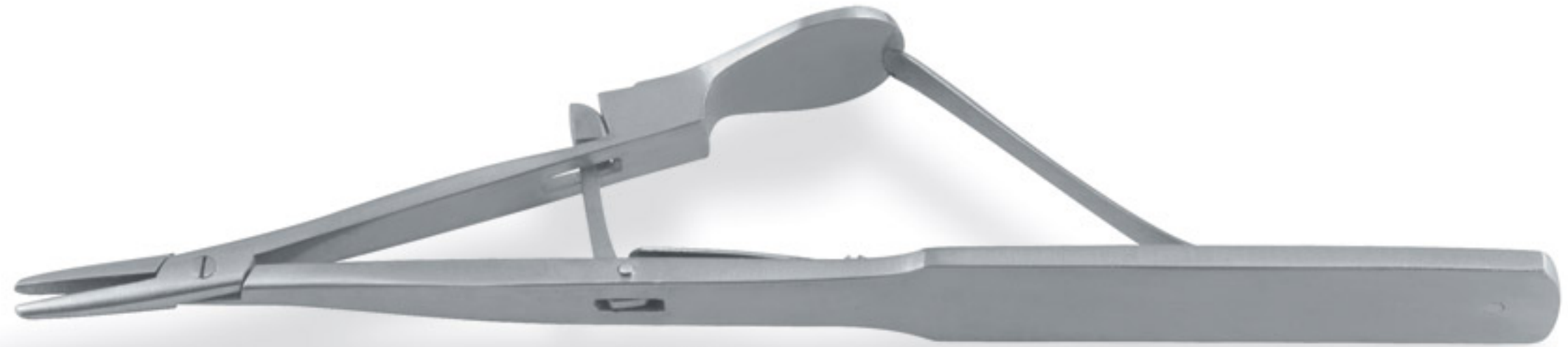
Barraquer  
45.1720.11  
11 cm

Micro Needle Holders  
 Mikro Nadelhalter  
 Micro Porte-aiguilles

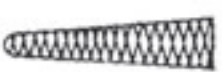


1/1  
  
 46.0791.14

  
 46.0786.14




Arruga  
 46.0786.14 - 46.0791.14  
 14 cm


1/1  
  
 46.0796.14





Kalt  
 46.0796.14  
 14 cm

1/1  
  
 46.0685.12

  
 46.0682.12



Boynton TC  
 46.0682.12 - 46.0685.12  
 12 cm

1/1  
  
 46.0468.16

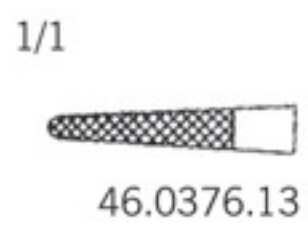
  
 46.0464.16



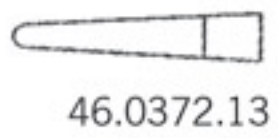
Arruga T/c  
 46.0464.16 - 46.0468.16  
 16 cm



Halsey  
46.0288.13  
13 cm



46.0376.13



Smooth

46.0372.13

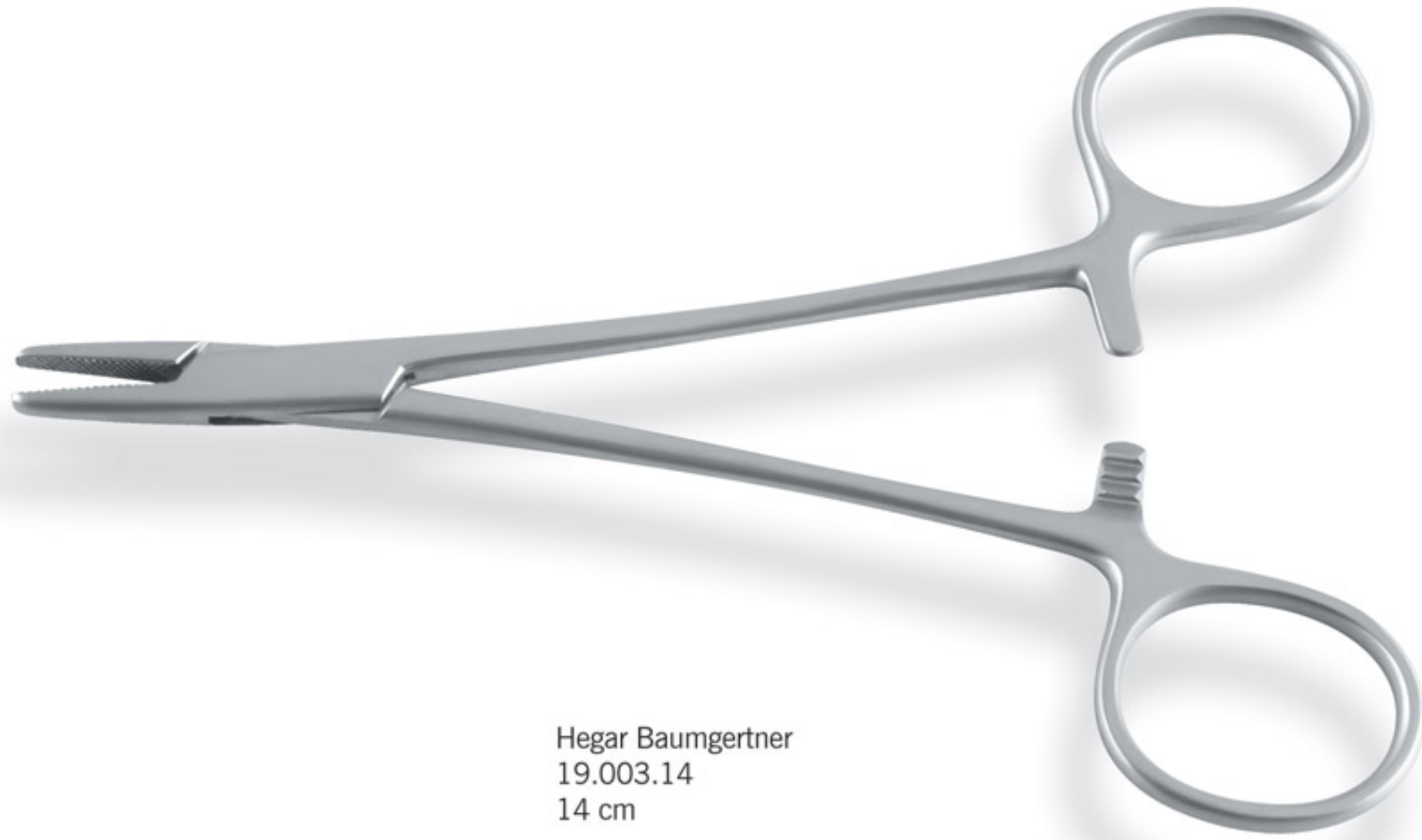


Halsey TC  
46.0372.13 - 46.0376.13  
13 cm

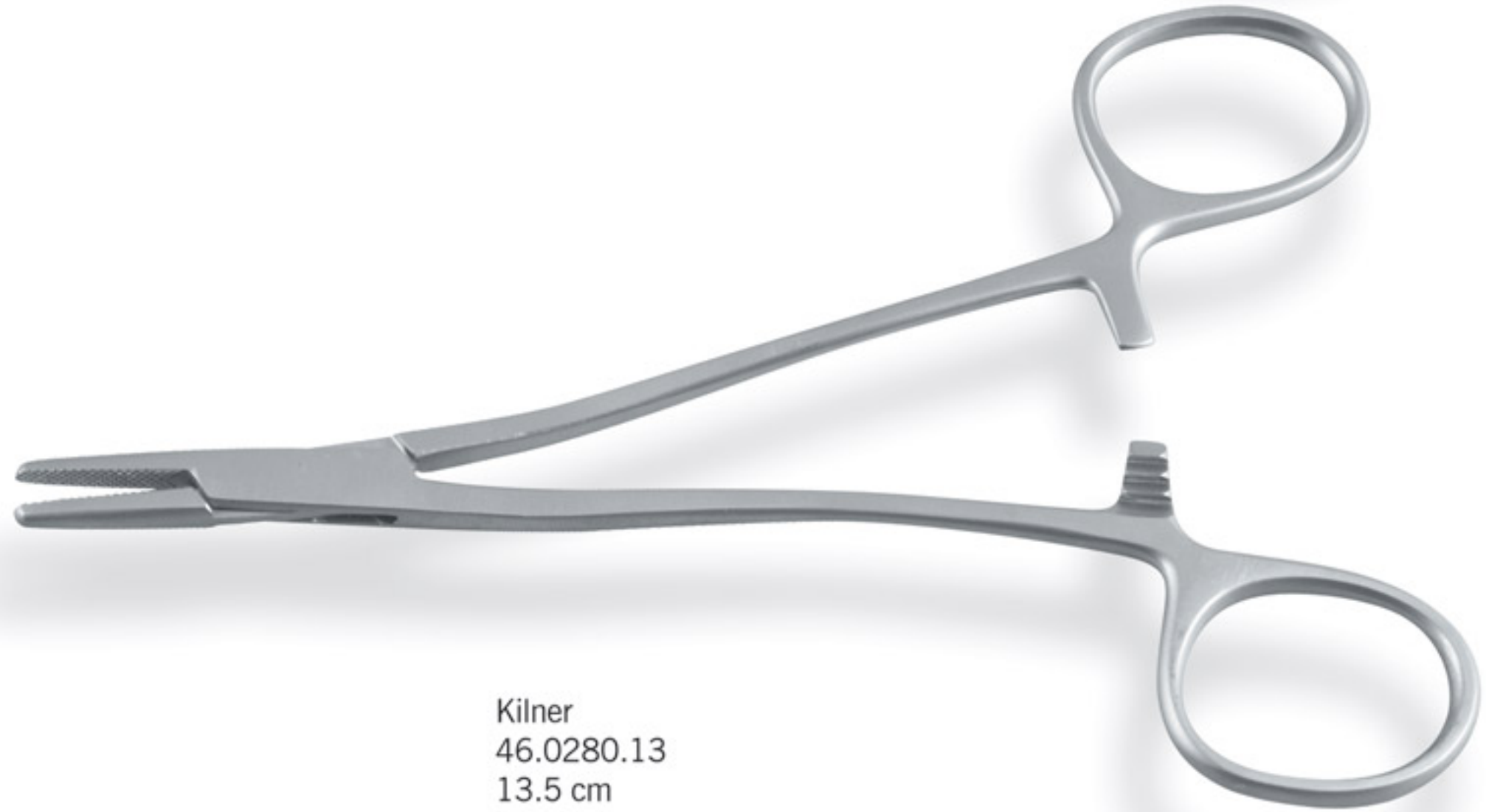


Derf-Converse  
46.0260.12  
12.5 cm

Needle Holders  
Nadelhalter  
Porte- Aiguilles



Hegar Baumgartner  
19.003.14  
14 cm



Kilner  
46.0280.13  
13.5 cm



Kilner TC  
46.0364.13  
13.5 cm

1/1



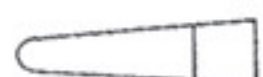
Derf  
46.0248.12  
12 cm

1/1



Derf TC  
46.0368.12  
12 cm

1/1



Smooth

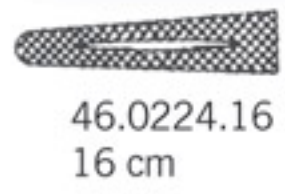


Webster TC  
46.0380.13  
13 cm

Needle Holders  
Nadelhalter  
Porte-aiguilles

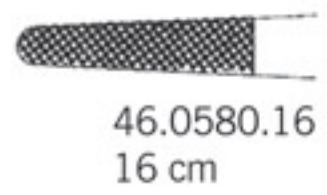


1/1



Mayo - Hegar  
46.0224.16 - 46.0228.18

1/1



Mayo - Hegar TC  
46.0580.16 - 46.0584.18

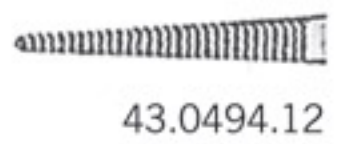
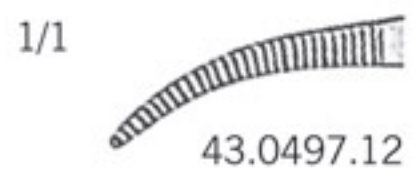
1/1



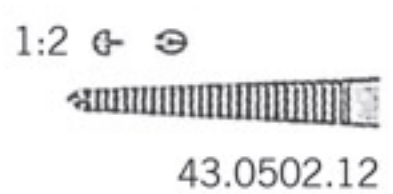
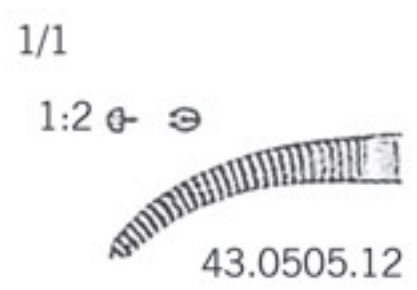
Crile - Wood TC  
46.0602.15  
15 cm



Baby-Mosquito  
46.0825.10 - 43.0377.10  
10 cm

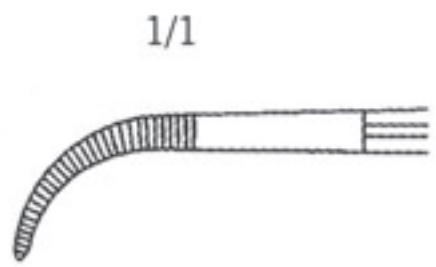


Mosquito  
43.0494.12 - 43.0497.12  
12.5 cm



Halsted-Mosquito  
43.0502.12 - 43.505.12  
12.5 cm

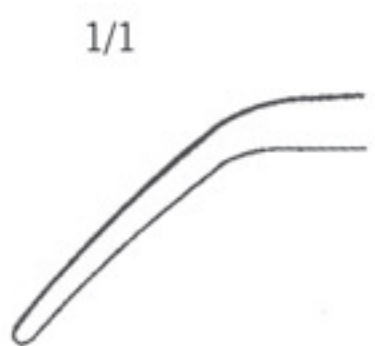
Artery Forceps, Towel Clamps  
Arterienklemmen, Tuchklemmen  
Pincés Hemostatiques, Pincés a Champs



Baby-Adson  
43.0317.14  
14 cm



Dieffenbach  
55.0256.05  
5 cm



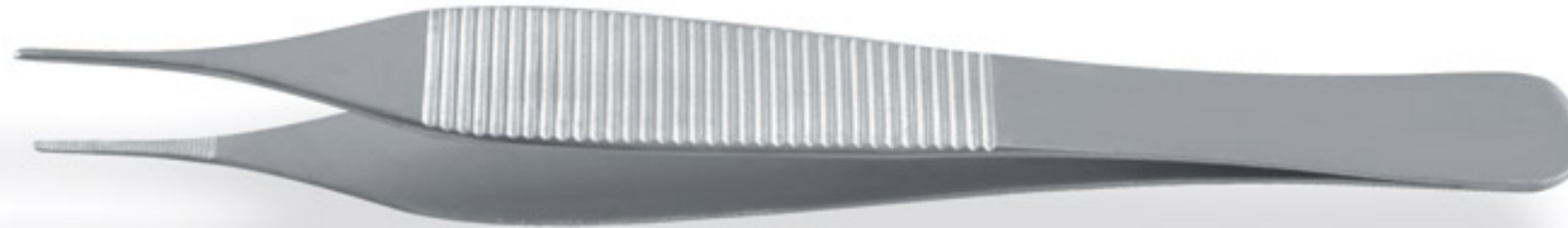
Backhaus  
43.0865.08 8 cm  
43.0869.11 11 cm  
43.0873.13 13 cm



1/1



44.0130.12 12 cm  
 44.1130.12 12 cm  
 44.0134.15 15 cm  
 44.1134.15 15 cm



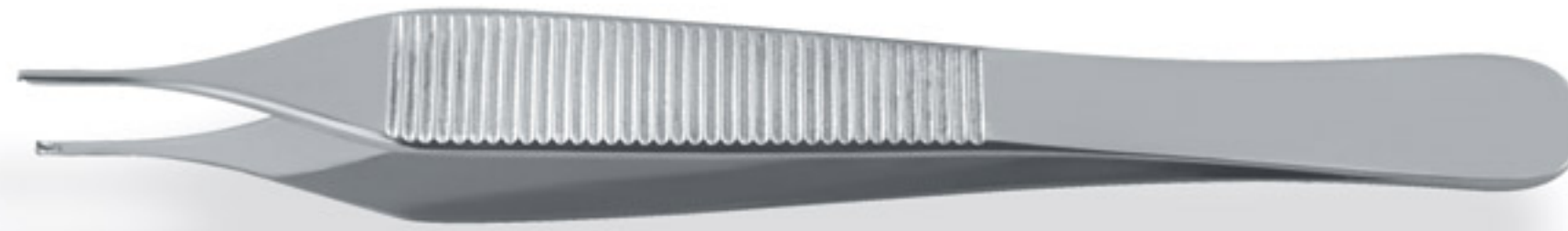
Micro Adson  
 44.0130.12 - 44.0134.15  
 44.1130.12 - 44.1134.15 **Titanium**

1/1

1:2



44.0138.12 12 cm  
 44.1138.12 12 cm  
 44.0142.15 15 cm  
 44.1142.15 15 cm



Micro Adson  
 44.0138.12 - 44.0142.15  
 44.1138.12 - 44.1142.15 **Titanium**



Graefe  
 45.0164.07 - 45.0250.10

1/1

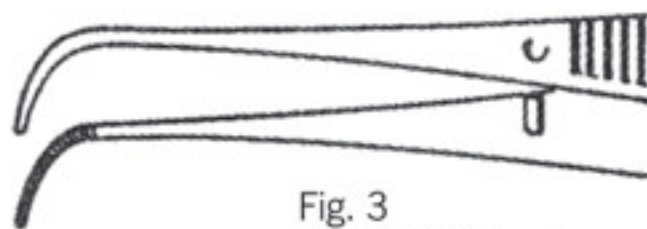


Fig. 3  
 45.0179.07 7 cm  
 45.0181.10 10 cm

1:2

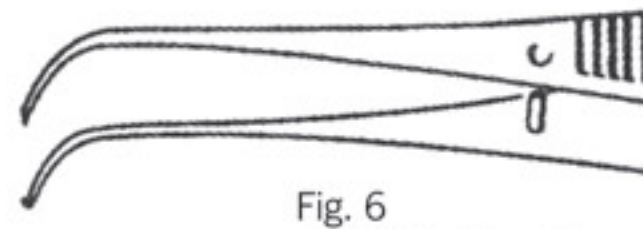


Fig. 6  
 45.0201.07 7 cm  
 45.0205.10 10 cm

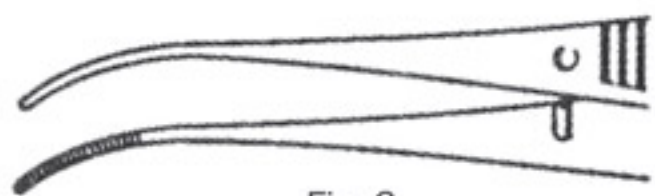


Fig. 2  
 45.0171.07 7 cm  
 45.0175.10 10 cm

1:2

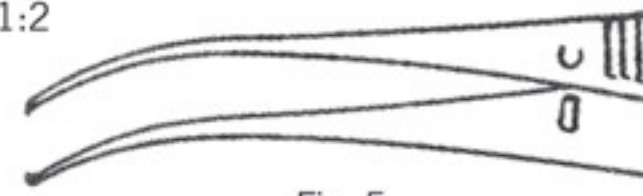


Fig. 5  
 45.0193.07 7 cm  
 45.0197.10 10 cm

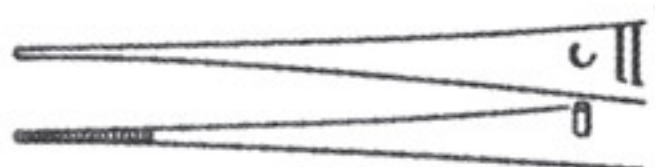


Fig. 1  
 45.0164.07 7 cm  
 45.0168.10 10 cm

1:2

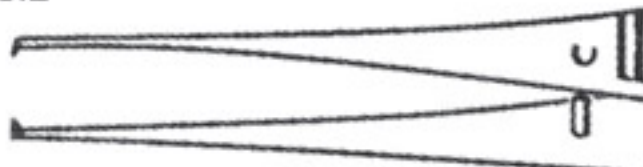


Fig. 4  
 45.0186.07 7 cm  
 45.0190.10 10 cm

Iris Forceps  
Iris Pinzetten  
Pincès Pour l' Iris



1/1

1:2

	45.0221.05	0.5 mm
	45.0225.07	0.7 mm
	45.0229.10	1.0 mm

1:2

	45.0220.05	0.5 mm
	45.0224.07	0.7 mm
	45.0228.10	1.0 mm

	45.0209.05	0.5 mm
	45.0213.07	0.7 mm
	45.0217.10	1.0 mm

	45.0208.05	0.5 mm
	45.0212.07	0.7 mm
	45.0216.10	1.0 mm



Graefe  
45.0208.05 - 45.0229.10

1/1

1:2

	Fig.3
	45.0245.10
	45.1245.10

1:2

	Fig.2
	45.0241.10
	45.1241.10

1:2

	Fig.1
	45.0240.10
	45.1240.10

	Fig.3
	45.0237.10
	45.1237.10

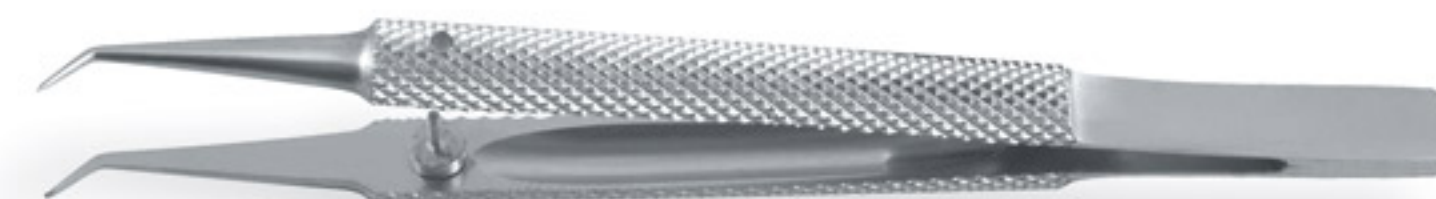
	Fig.2
	45.0233.10
	45.1233.10

	Fig.1
	45.0232.10
	45.1232.10

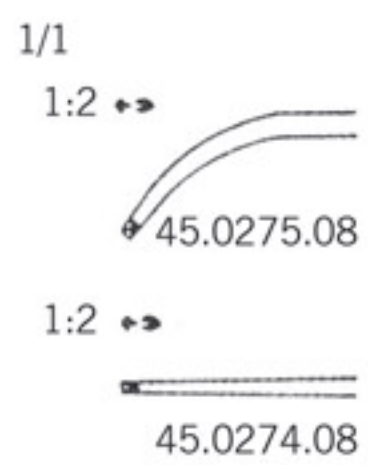


Stevens  
45.0232.10 - 45.0245.10  
45.1232.10 - 45.1245.10 **Titanium**  
10 cm

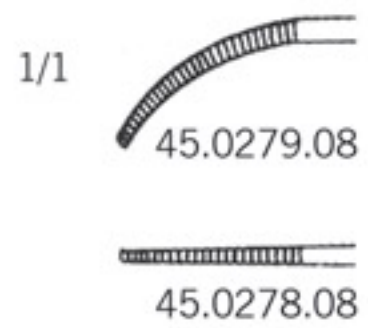
1/1



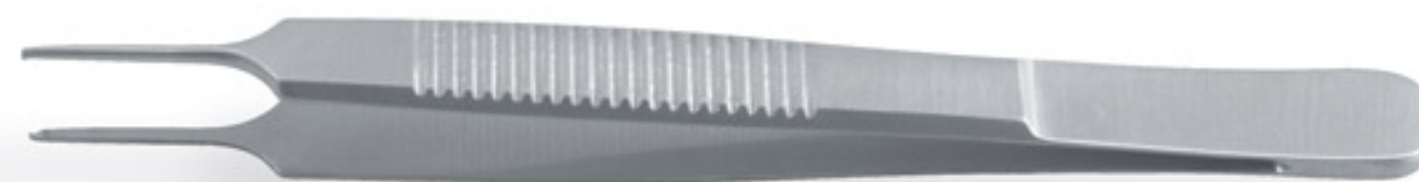
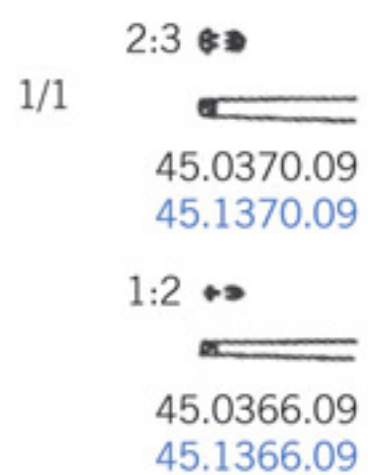
Kirby  
45.0271.09  
9.0 cm



Foerster  
45.0274.08 - 45.0275.08  
8.5 cm



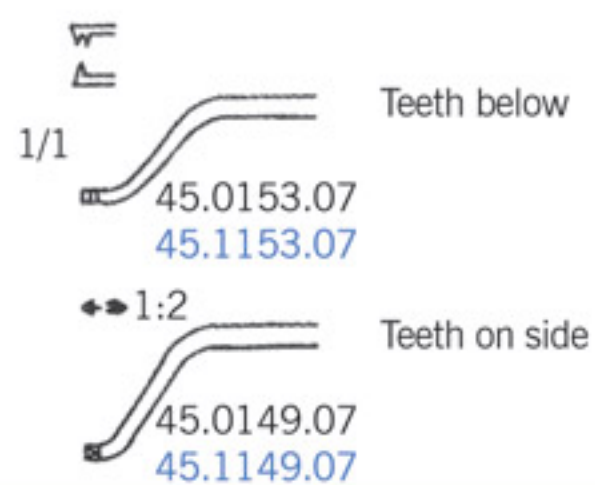
Foerster  
45.0278.08 - 45.0279.08  
8.5 cm



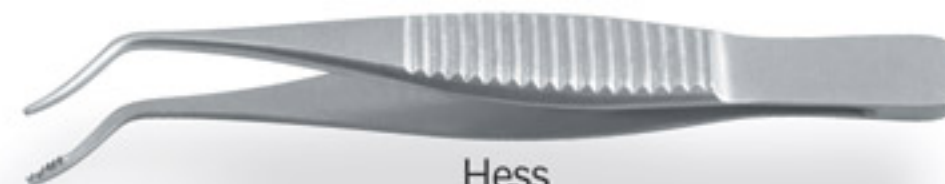
Lester  
45.0366.09 - 45.0370.09  
45.1366.09 - 45.1370.09 **Titanium**  
9.0 cm



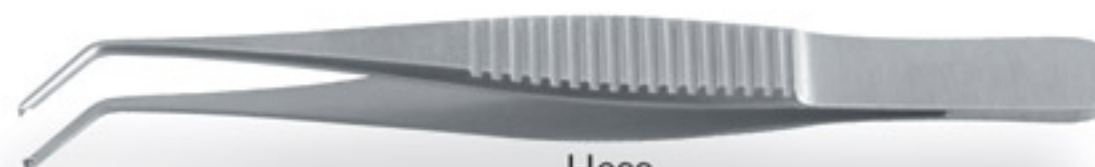
Bishop Harman  
45.0260.08 - 45.0264.08  
45.1260.08 - 45.1264.08 **Titanium**  
8.0 cm



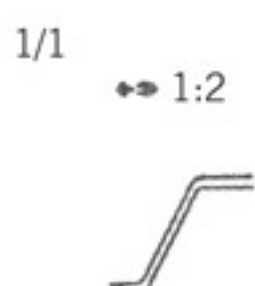
Gill Hess  
45.0149.07 - 45.0153.07  
45.1149.07 - 45.1153.07 **Titanium**  
7.0 cm



Hess  
45.1780.06  
45.1781.06 **Titanium**  
6.0 cm



Hess  
45.1776.07  
45.1777.07 **Titanium**  
7.0 cm



Hess  
45.0161.09  
45.1161.09 **Titanium**  
9.0 cm

Suture Forceps  
Nahtpinzetten  
Pince de Suture



Suture Forceps  
45.1828.08  
8.0 cm



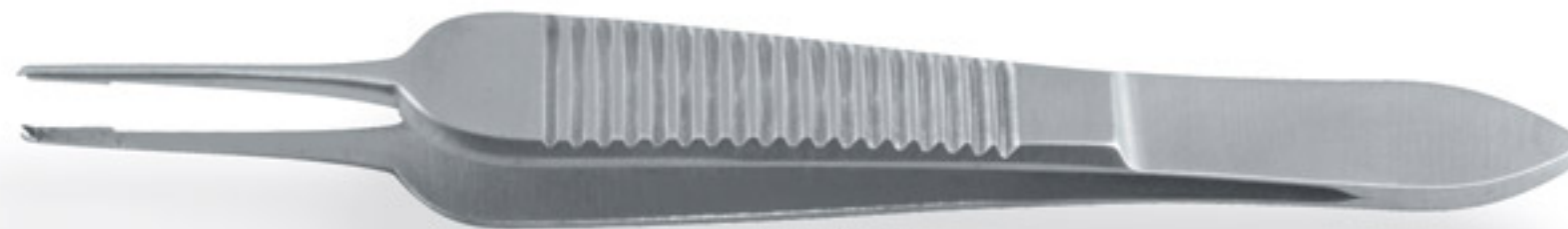
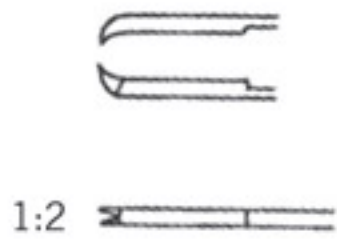
Suture Forceps  
45.1832.10  
10 cm



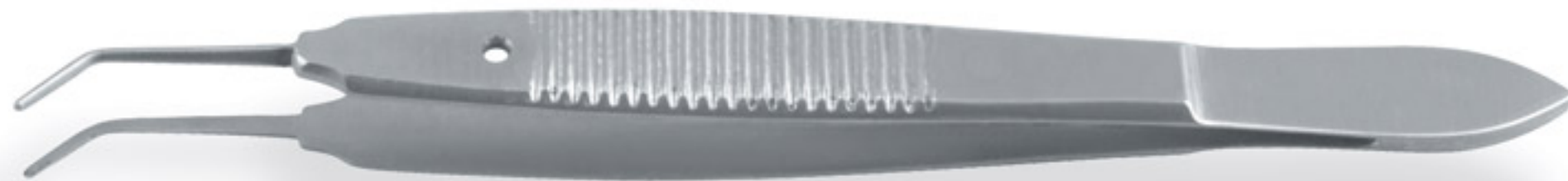
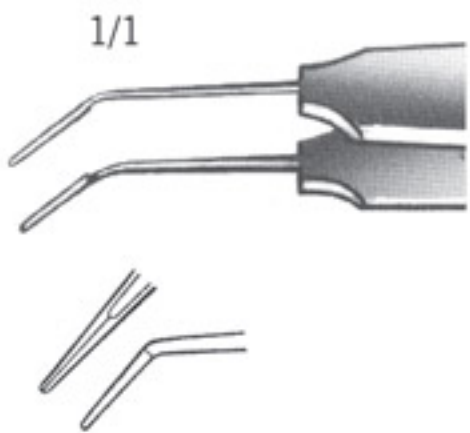
Suture Forceps  
45.1836.08  
8.0 cm



Paufigue  
45.1812.10  
45.1813.10 **Titanium**  
10 cm



Paufigue  
45.0354.10  
45.1354.10 **Titanium**  
10 cm



McPherson  
45.1820.10  
45.1821.10 **Titanium**  
10 cm

1/1	45.0307.10	0.12 mm
	45.0311.10	0.30 mm
	45.0315.10	0.50 mm
1:2	45.0319.10	1.0 mm
	45.0323.10	1.5 mm

1:2	45.0306.10	0.12 mm
	45.0310.10	0.30 mm
	45.0314.10	0.50 mm
	45.0318.10	1.0 mm
	45.0322.10	1.5 mm



Castroviejo  
45.0306.10 - 45.0322.10 (Str)  
45.0307.10 - 45.0323.10 (Cvd)



45.1808.00  
 0.4 x 10 mm



45.1804.00  
 0.3 x 10 mm



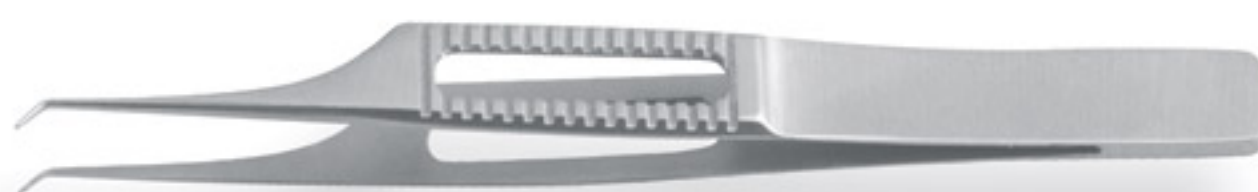
45.1800.00  
 0.2 x 10 mm



Dermot-Pierse  
 45.1800.08 - 45.1808.08  
 8.0 cm



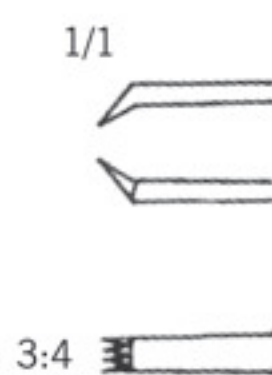
0.2 x 10 mm



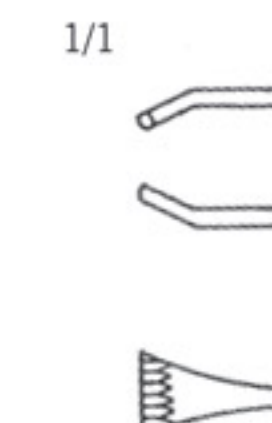
Dermot-Pierse  
 45.1792.08  
 8.0 cm



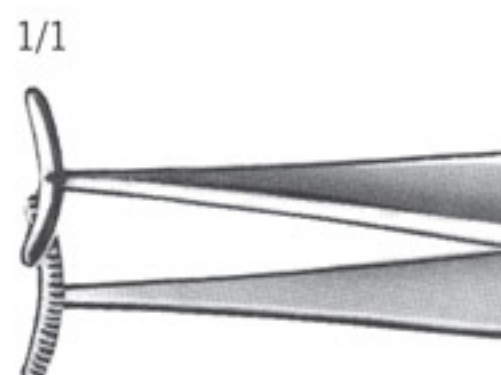
Barraquer Katzin  
 45.1784.07  
 7.0 cm



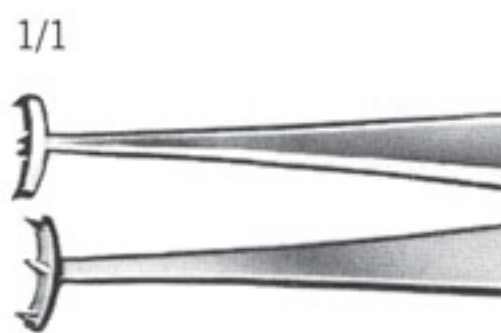
Elsching  
 45.0394.11  
 45.1394.11 **Titanium**  
 11 cm



Graefe  
 45.0382.11  
 45.1382.11 **Titanium**  
 11 cm



45.1870.07 5 cm  
 45.1874.10 10 cm

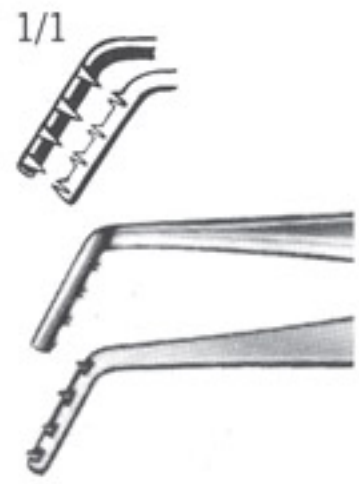


45.1860.07 5 cm  
 45.1866.10 10 cm

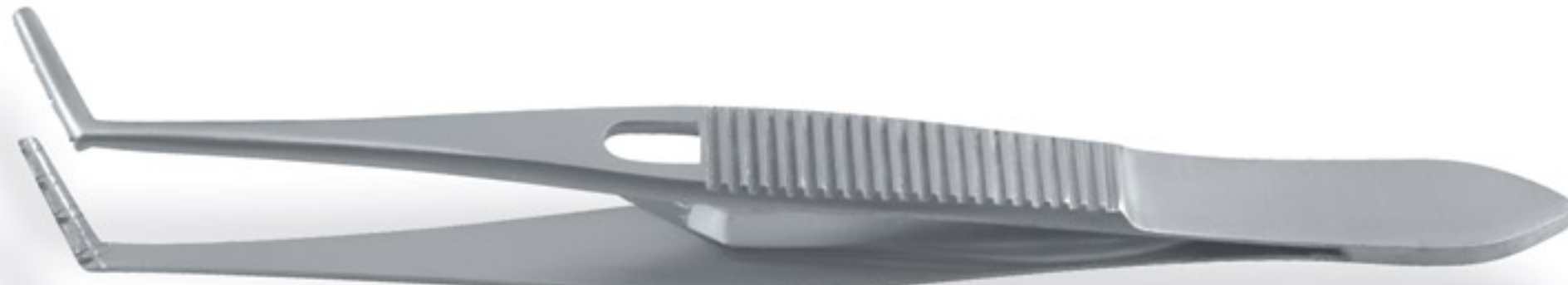
Muscular, Advancement & Entropium Forceps  
 Pince Musculaire, Advncement & Entropion  
 Muskulos, Advncement & Entropium Zange



Sattler  
 45.1886.10  
 10 cm

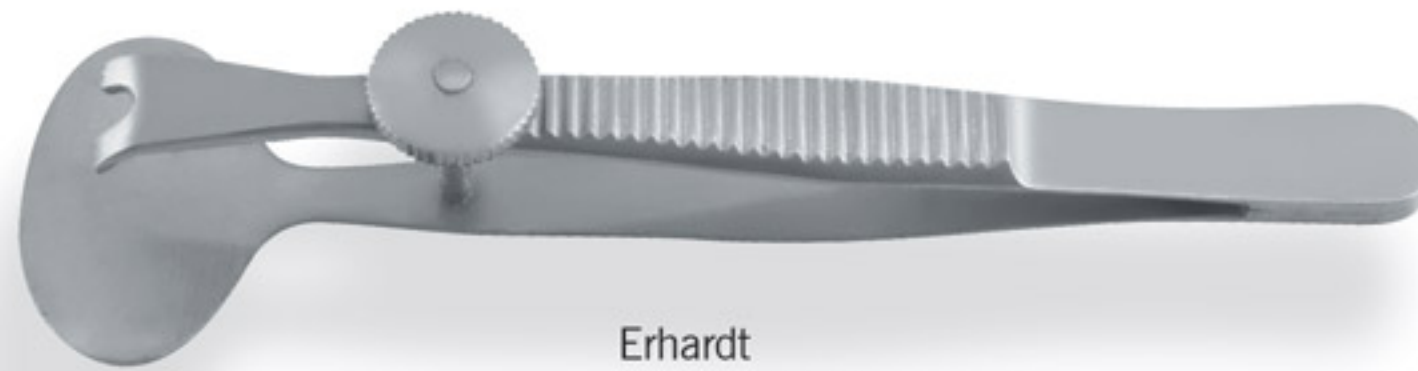
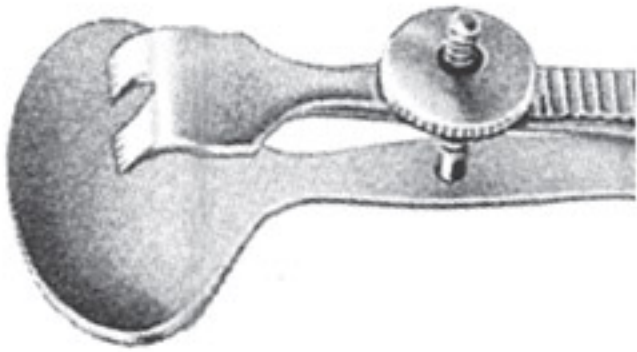


Prince  
 45.1882.10  
 10 cm



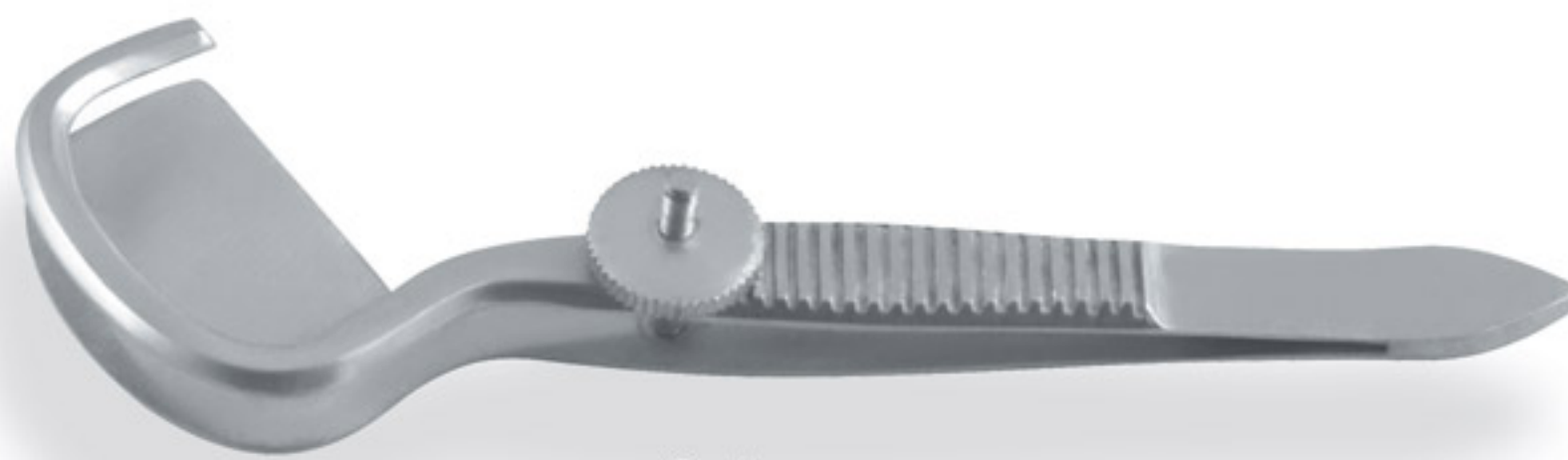
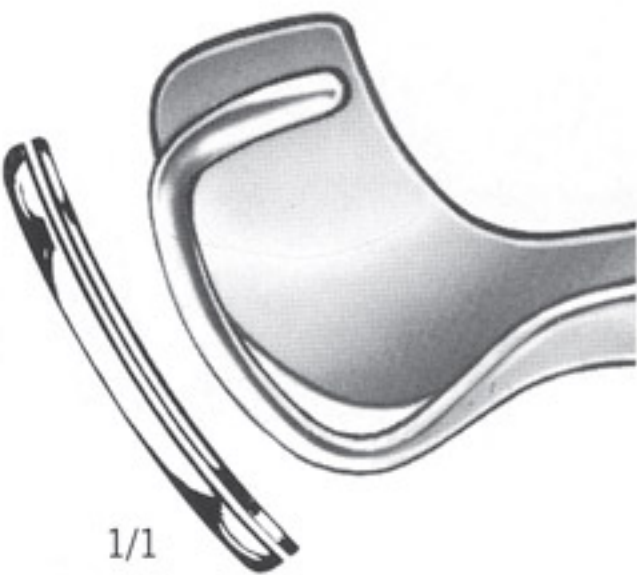
Prince  
 45.1878.10  
 10 cm

1/1



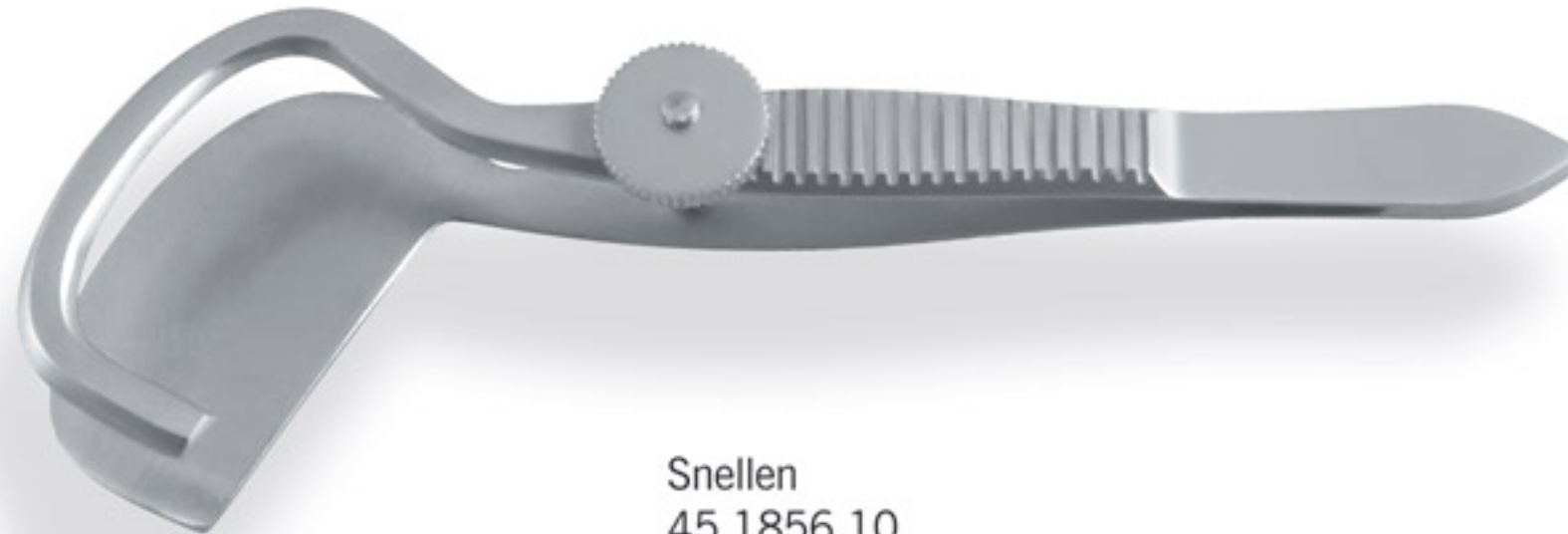
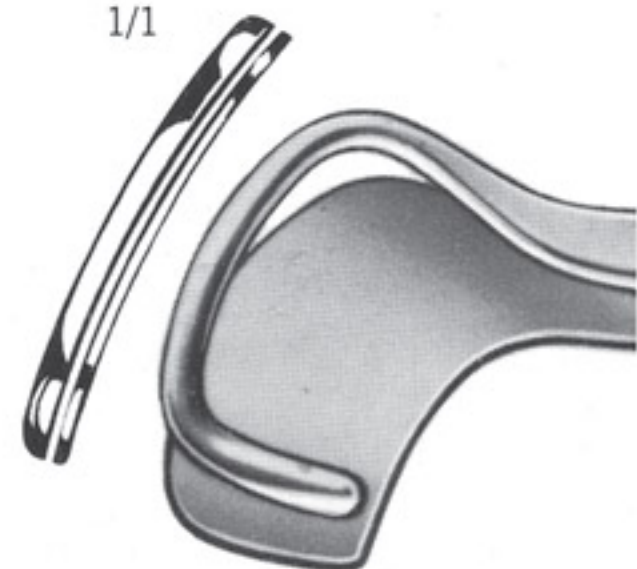
Erhardt  
 45.0358.09  
 9.0 cm

1/1



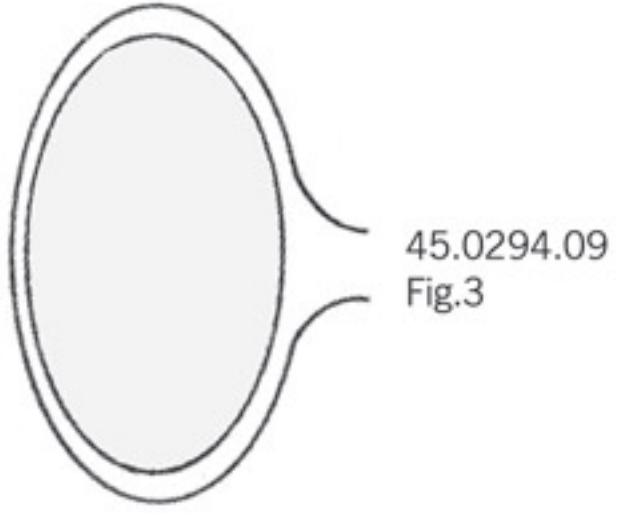
Snellen  
 45.1852.10  
 10 cm

1/1

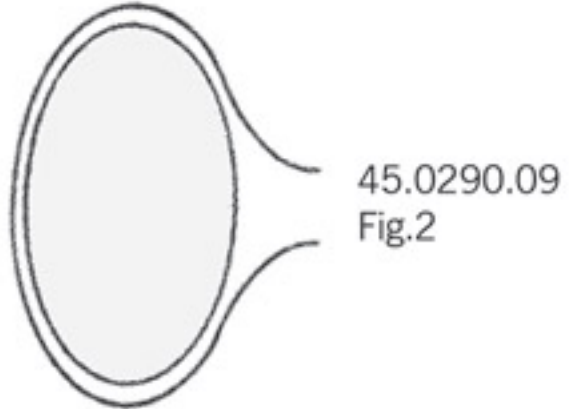


Snellen  
 45.1856.10  
 10 cm

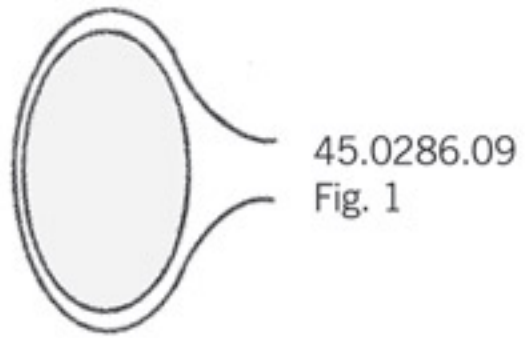
1/1



45.0294.09  
Fig.3



45.0290.09  
Fig.2

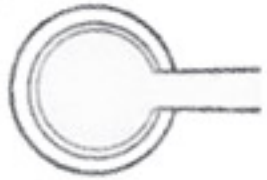


45.0286.09  
Fig. 1

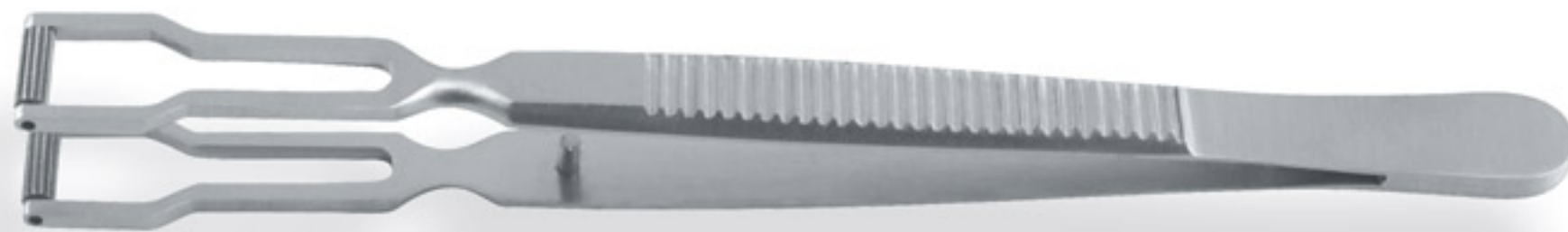


Desmarres  
45.0286.09 - 45.0294.09  
9.0 cm

1/1

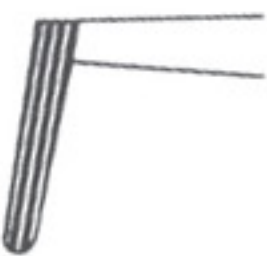


Ayer Suture  
45.0298.09  
9.0 cm



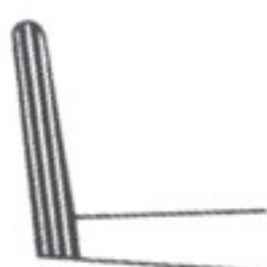
Knapp  
45.1848.11  
11 cm

1/1



Blascovics  
45.0339.09  
9.0 cm

1/1



Blascovics  
45.0335.09  
9.0 cm

Capsular Forceps, Cilia Forceps  
 Kapsel-Pinzetten, Zangen Cilia  
 Pincas Caspsulaires, Pincas Cilia

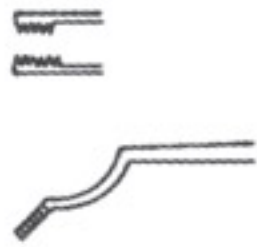


Shepard  
 45.1846.00



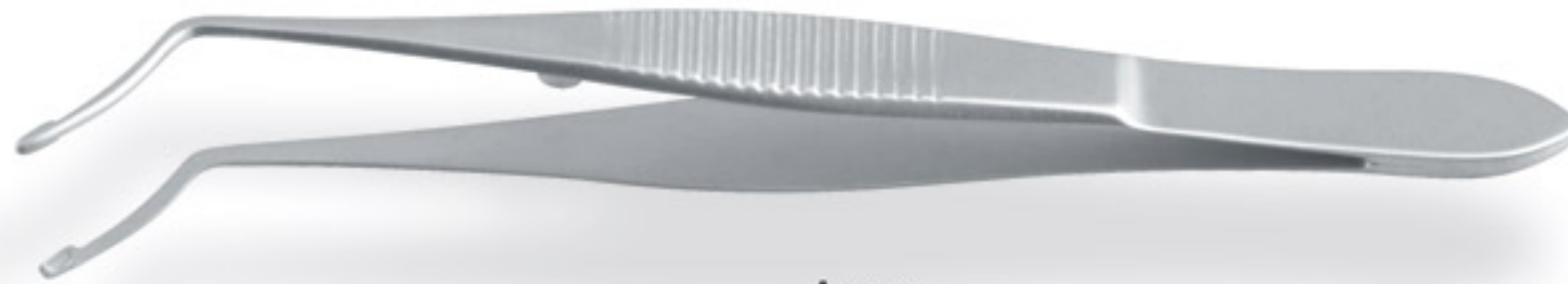
Shepard  
 45.1842.00

1/1



Terson  
 45.0111.09  
 9.0 cm

1/1

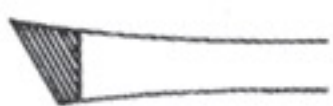


Arruga  
 45.0107.10  
 10 cm



Beer  
 45.1690.07  
 7.0 cm

1/1



Cilia Forcep  
 44.0583.09  
 9.0 cm



1/1



Micro Forcep  
45.0410.12  
45.1410.12 **Titanium**  
12 cm

1/1



Jewelers Forcep  
45.1824.12  
45.1825.12 **Titanium**  
12 cm



Ring Tip Forcep  
45.1696.00  
45.1697.00 **Titanium**

1/1



Micro Forcep  
45.0453.18  
45.1453.18 **Titanium**  
18 cm

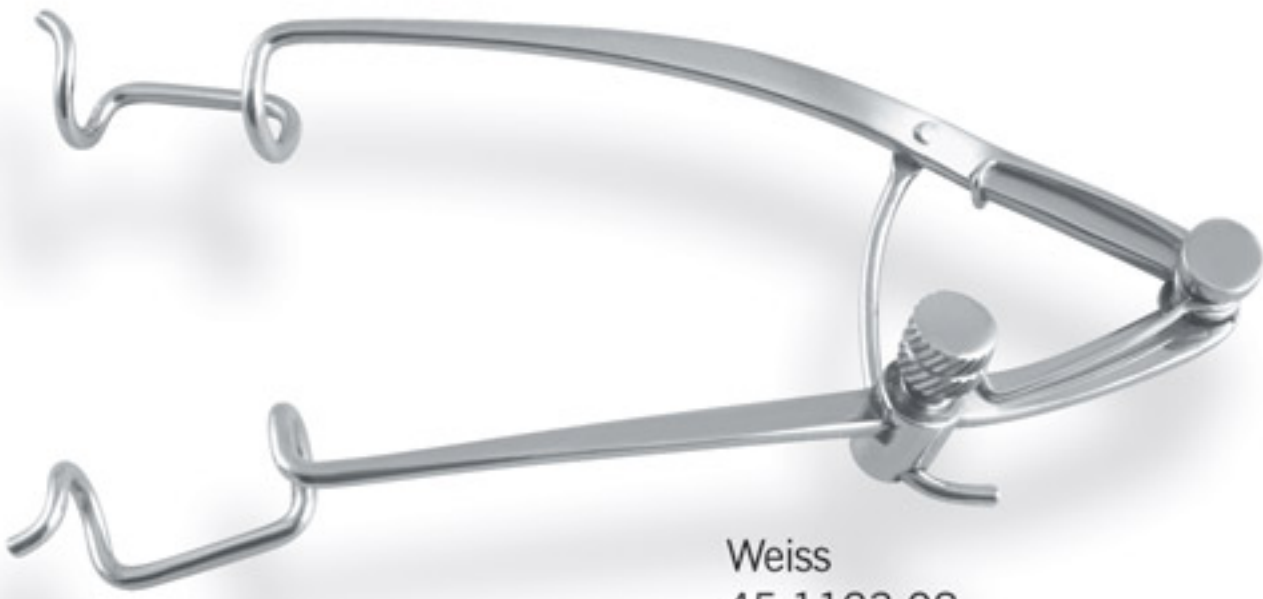
Eye Specula, Retractors  
 Eye Spcula, Retraktoren  
 Spcula Yeux, Retracteurs



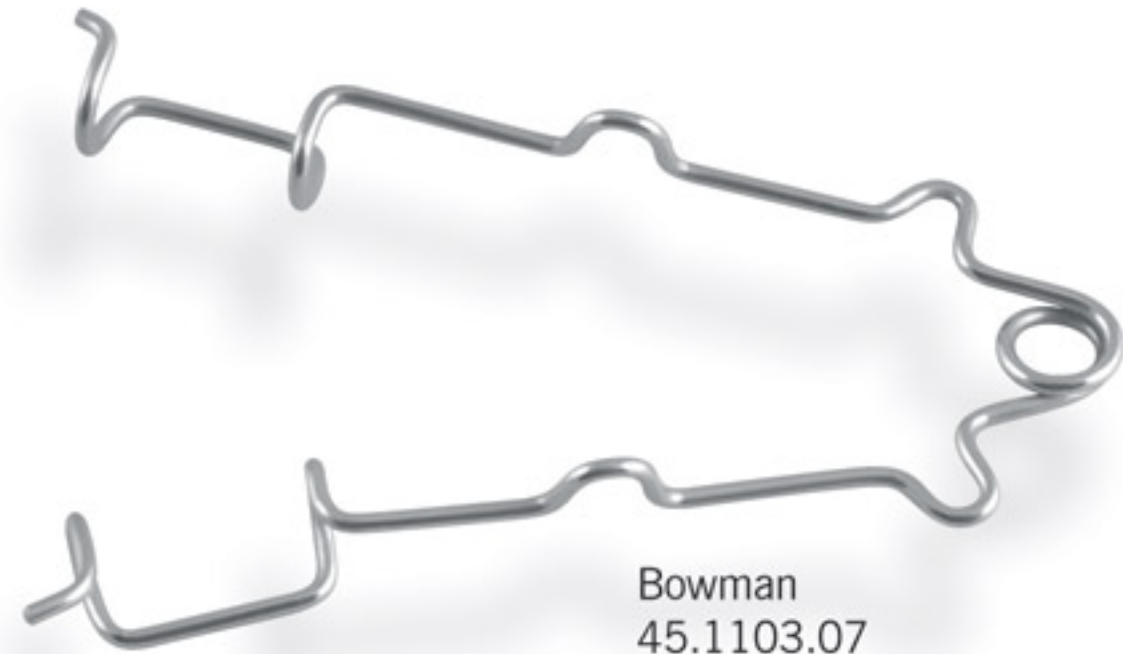
Graefe  
 45.1111.07 7.0 cm  
 45.1115.09 9.0 cm



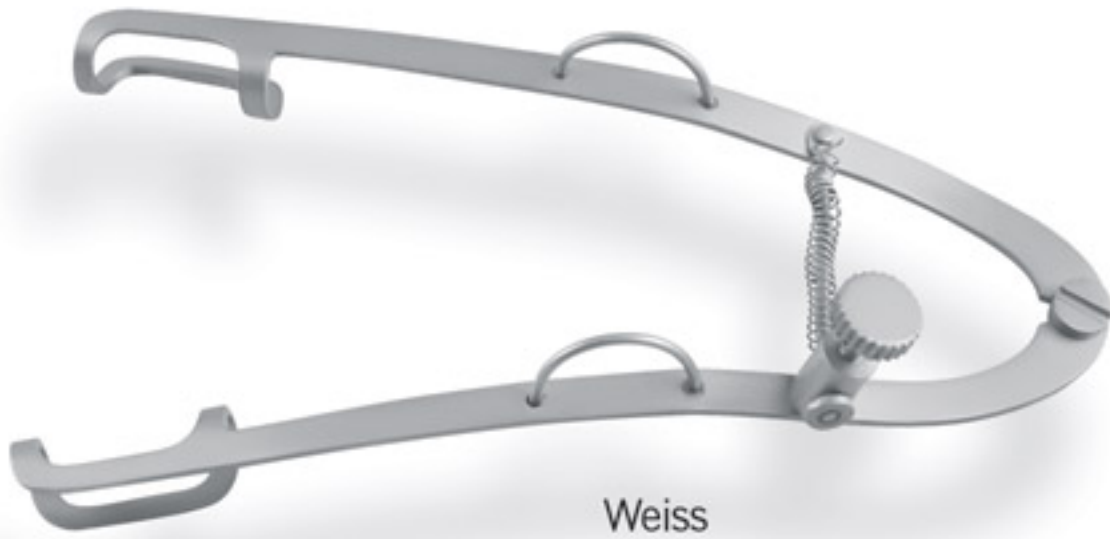
Muller  
 45.1119.07  
 7.0 cm



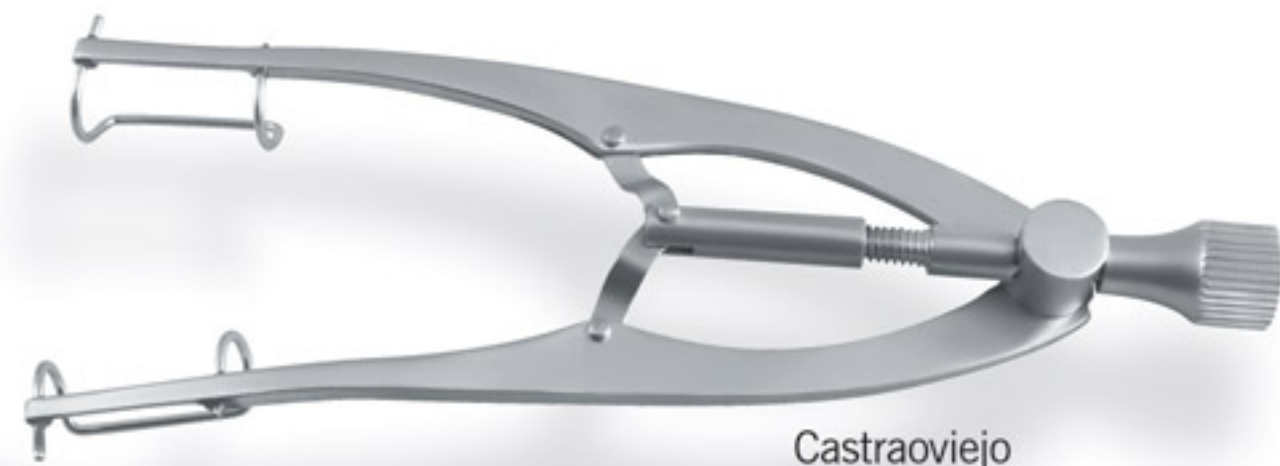
Weiss  
 45.1123.08  
 8.0 cm



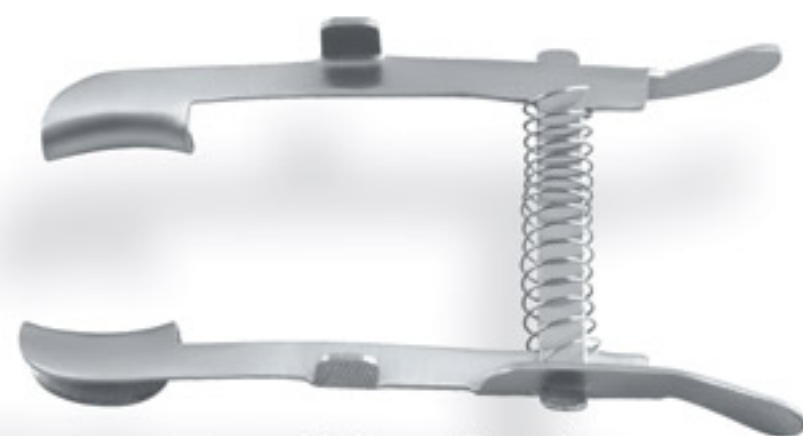
Bowman  
 45.1103.07  
 7.0 cm



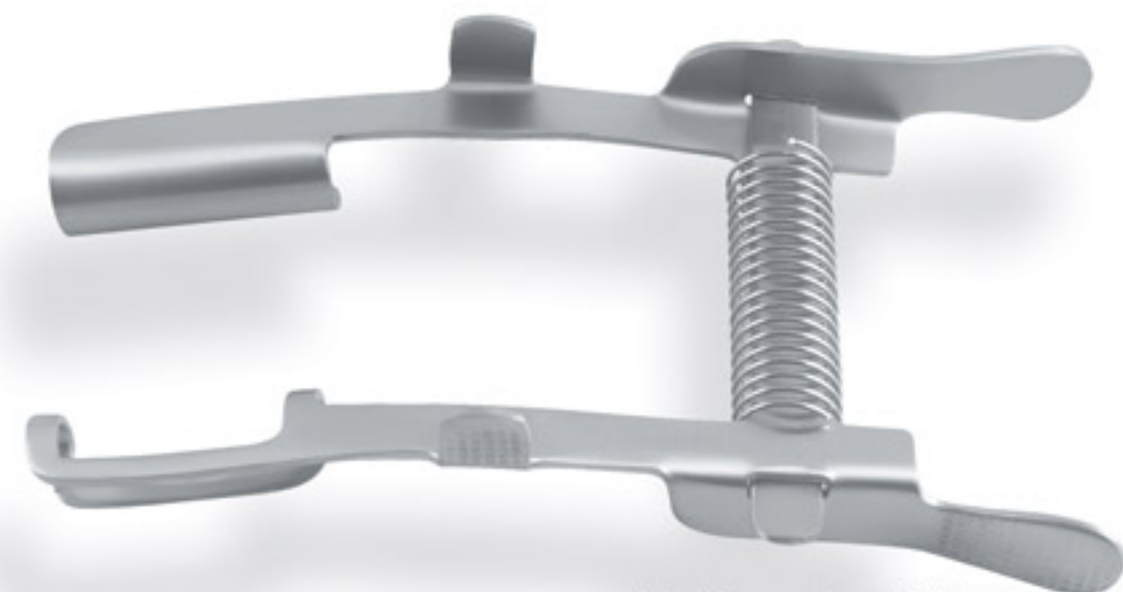
Weiss  
 45.1125.07 7.0 cm  
 45.1129.09 9.0 cm



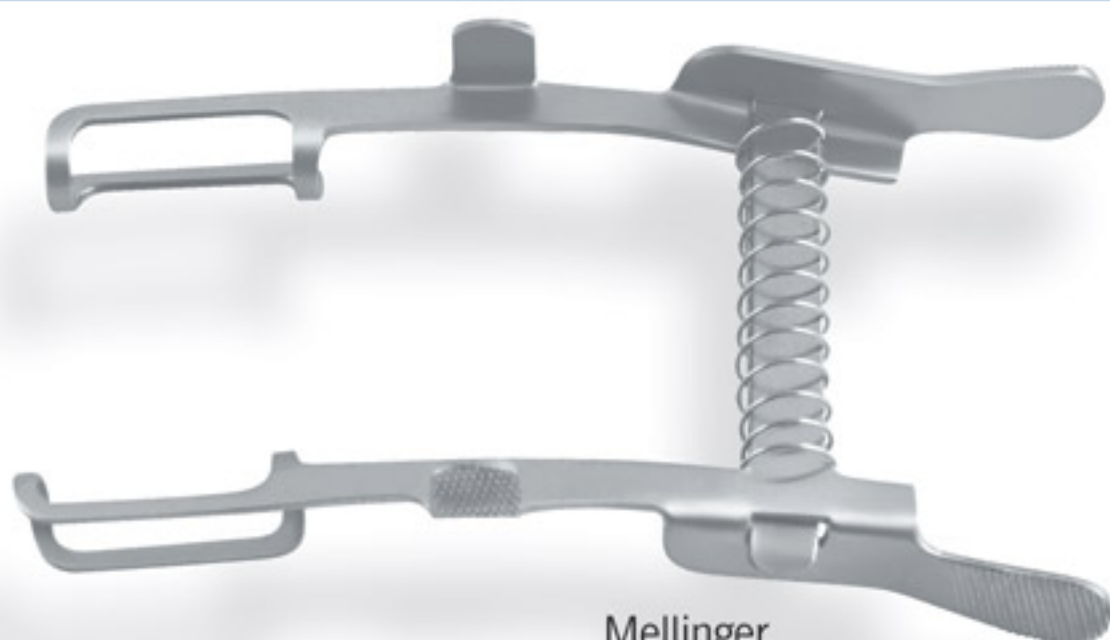
Castraviejo  
 45.1147.08  
 8.0 cm



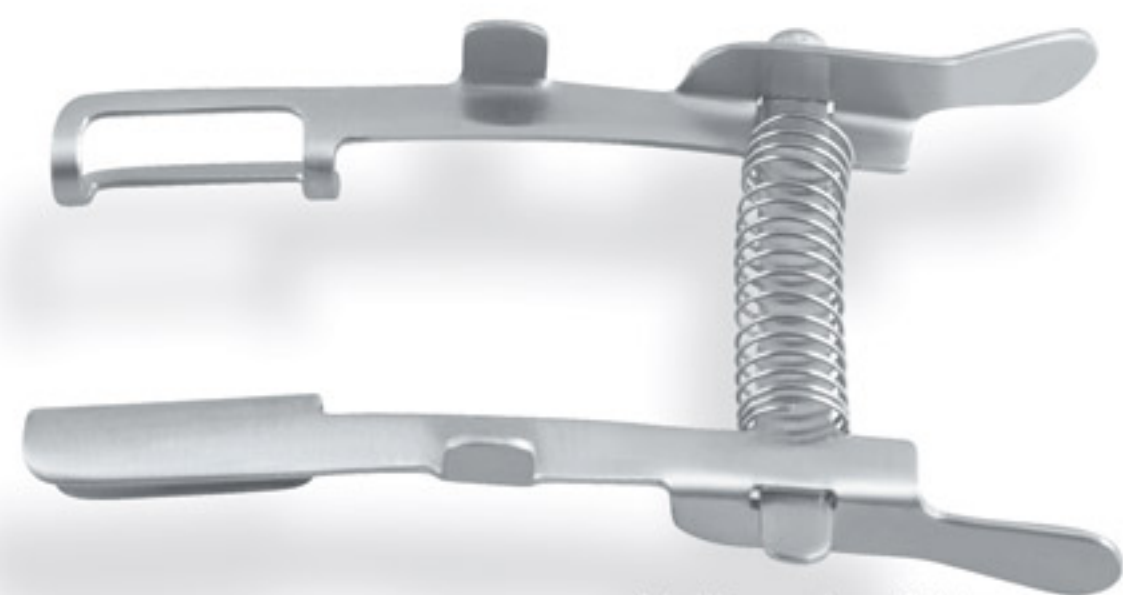
Mellinger Beard  
 45.1183.05 5.0 cm  
 45.1187.07 7.0 cm



Mellinger-Axenfeld  
 45.1191.07  
 7.0 cm

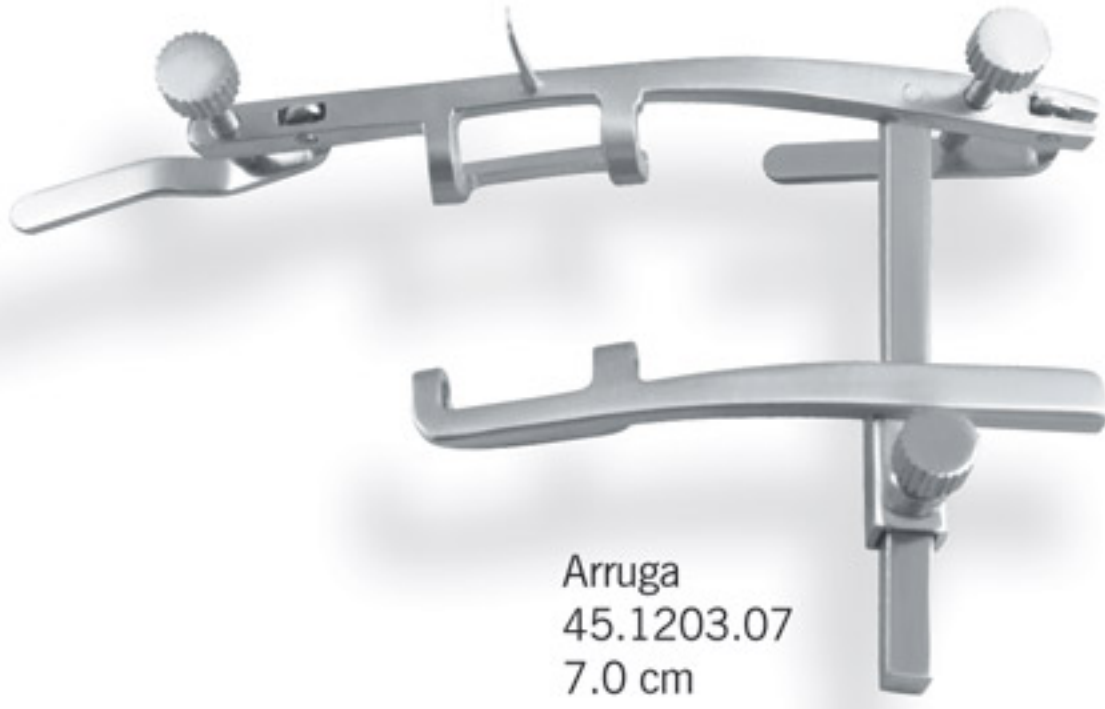


Mellinger  
 45.1175.05 5.0 cm  
 45.1179.07 7.0 cm

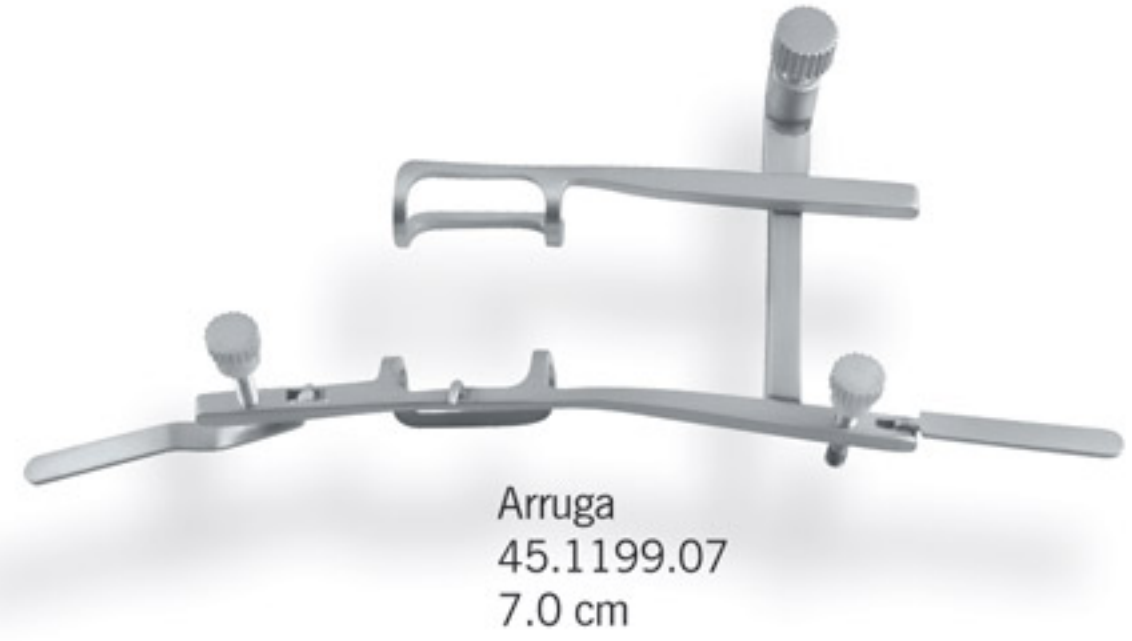


Mellinger-Axenfeld  
 45.1195.07  
 7.0 cm

Eye Specula, Retractors  
 Eye Spcula, Retraktoren  
 Spcula Yeux, Retracteurs



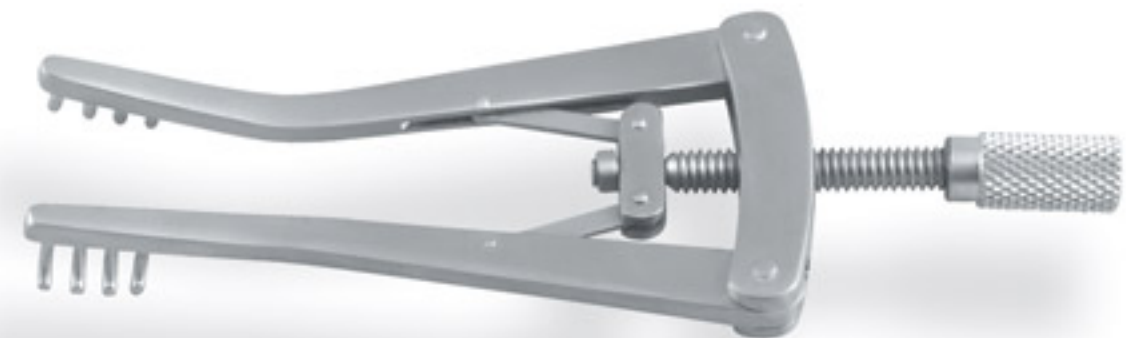
Arruga  
 45.1203.07  
 7.0 cm



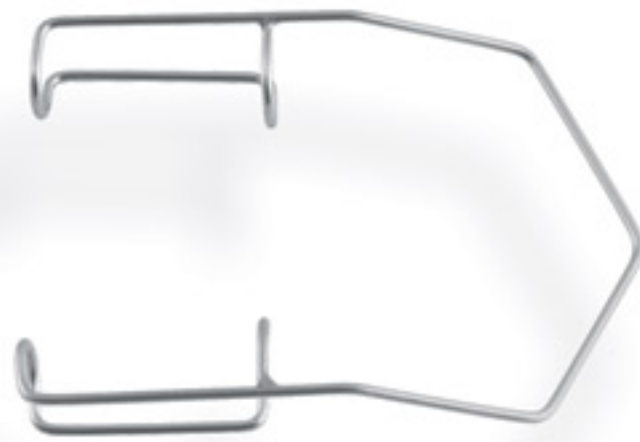
Arruga  
 45.1199.07  
 7.0 cm



Finsen  
 48.0292.05 5.0 cm sharp  
 48.0293.05 5.0 cm blunt  
 48.0296.07 7.0 cm sharp  
 48.0297.07 7.0 cm blunt



Finsen  
 48.0284.07 7.0 cm sharp  
 48.0285.07 7.0 cm blunt  
 48.0288.10 10 cm sharp  
 48.0289.10 10 cm blunt



Barraquer  
 45.1095.03 3.0 cm  
 45.1099.04 4.0 cm



Murdock  
 45.1163.05  
 5.0 cm



Sauer  
 45.1151.03  
 3.0 cm



Critchett  
 45.1107.07  
 7.0 cm



Pley  
 45.1167.06  
 6.0 cm

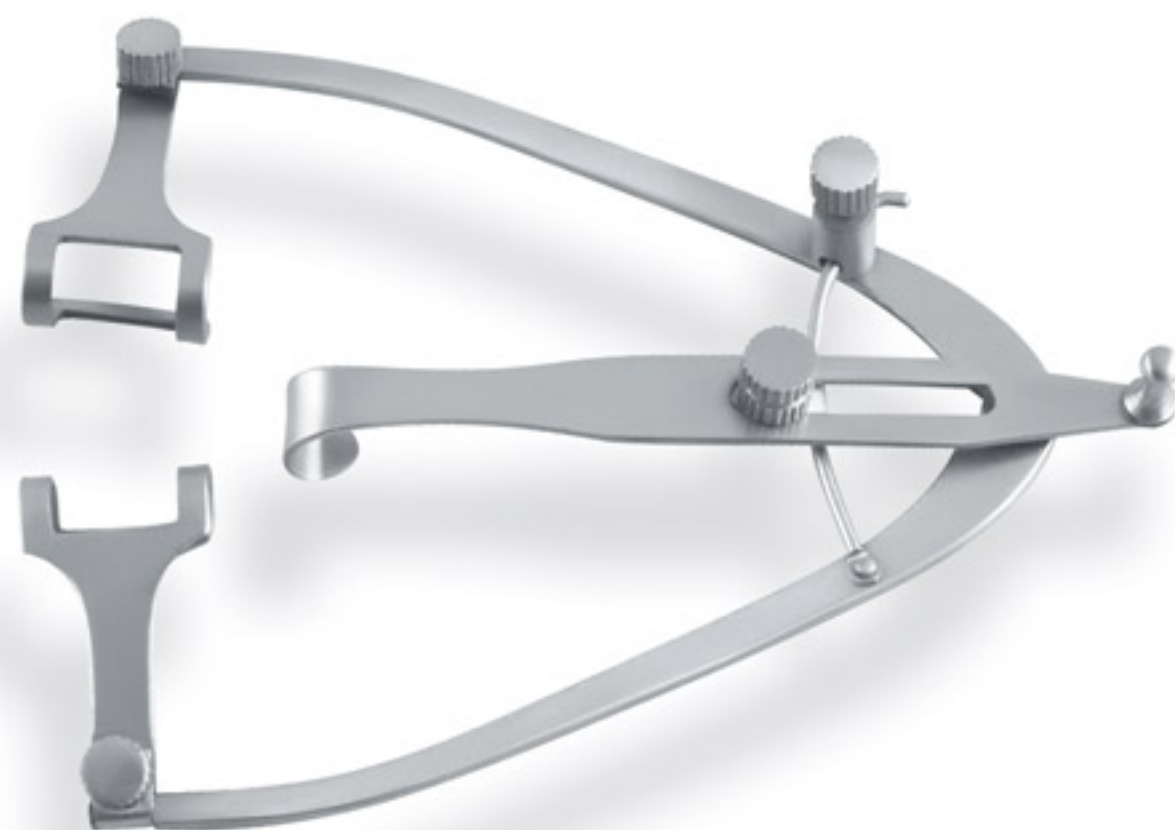


Ziegler  
 45.1171.07  
 7.0 cm

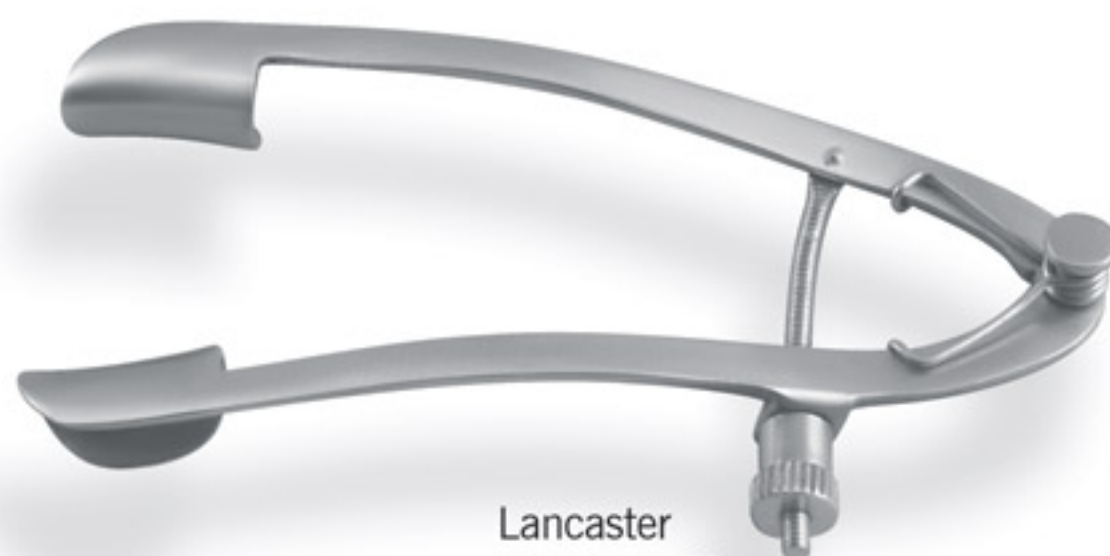
Eye Specula, Retractors, Double-ended Instruments  
Eye Spcula, Retraktoren, Doppel-End-Geraten  
Spcula Yeux, Retracteurs, Double-End Instruments



Williams  
45.1139.07 7.0 cm  
45.1143.08 8.0 cm



Guyton-Park  
45.1207.08  
8.0 cm



Lancaster  
45.1155.07  
7.0 cm



Dix  
45.0985.00



45.1650.00

1/1



45.1565.06  
3.0 x 32 mm  
Fig.6



45.1562.05  
2.5 x 35 mm  
Fig.5



45.1558.04  
2.3 x 33 mm  
Fig.4



Graefe  
45.1558.04 - 45.1565.06

1/1



Wheeler  
45.1522.00

1/1



Graefe  
45.1529.00

1/1



45.1506.03  
7 mm  
Fig.3



45.1502.02  
6 mm  
Fig.2



45.1498.01  
5 mm  
Fig.1

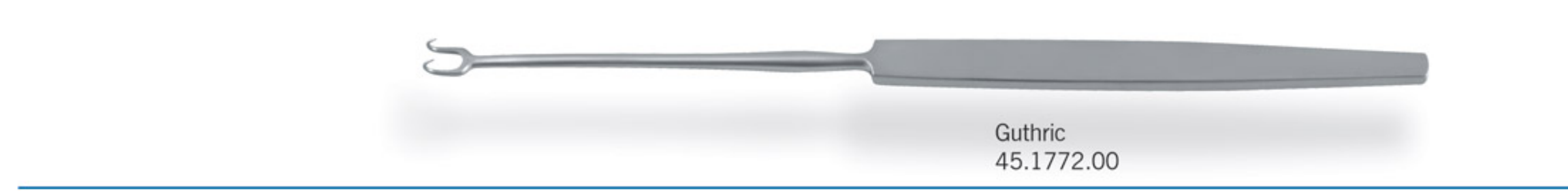
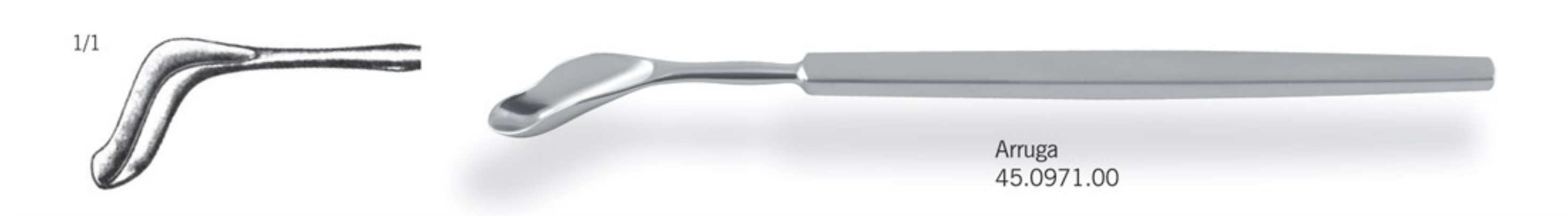
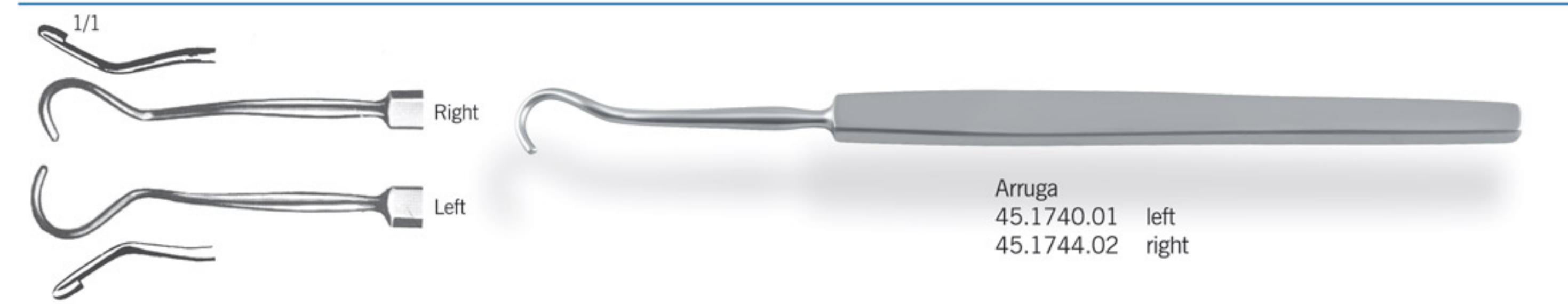
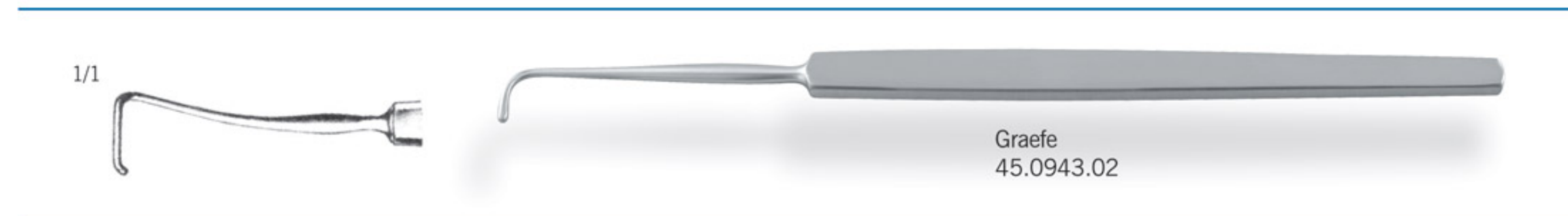
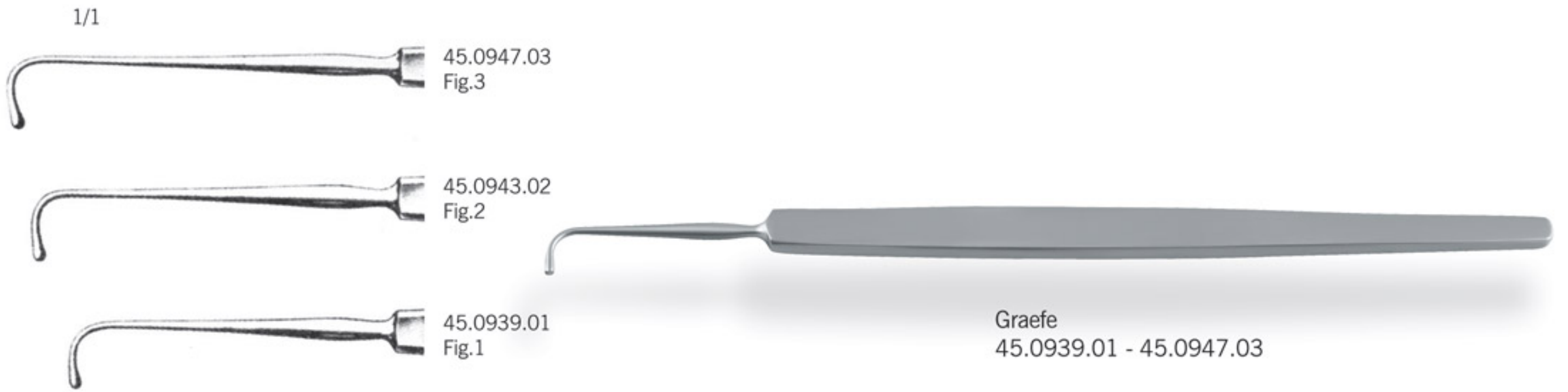


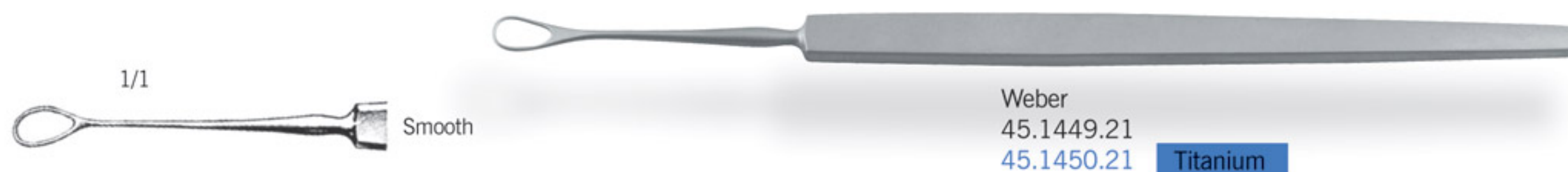
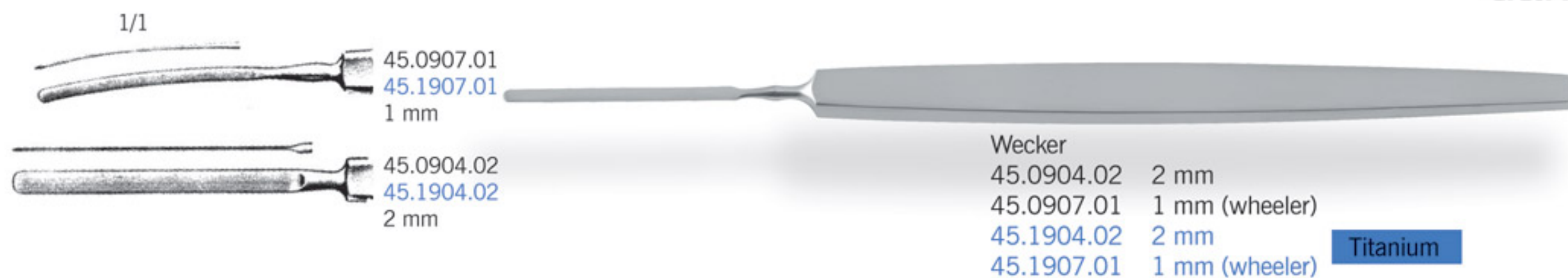
Ziegler  
45.1502.02 - 45.1506.03



Walter  
45.1756.00

Hooks and Hooklets, Retractors  
 Hook & Hakchen, Retraktoren  
 Hook & Petits Crochets, des Retracteurs





Double-ended Instruments, Lid Instruments  
 Deckel Instrumente, Doppel-End-Geraten  
 Instrument Couvercle, Double-End Instruments



1/1  

Smith-Fisher  
 45.1732.12  
 45.1733.12 **Titanium**  
 12 cm




Meyhoefer  
 45.1752.00

1/1 





Meyhoefer  
 45.0882.00  
 3.7. x 2.7 mm

1/1 



Gross Curettes  
 49.0592.12  
 12 cm

1/1 



Castroviejo  
 45.0893.01 0.5 x 15 mm  
 45.0897.02 0.75 x 15 mm  
 45.1893.01 0.5 x 15 mm **Titanium**  
 45.1897.02 0.75 x 15 mm

1/1  1.5 mm




Walton  
 45.0992.00  
 1.5 mm


1/1 

45.1025.02  
 45.1026.02  
 Cvd



Jaeger  
 45.1022.01 - 45.1025.02  
 45.1023.01 - 45.1026.02 **Titanium**





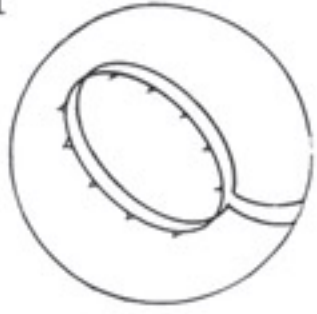
Desmarres  
 45.1215.01  
 13 cm





8 cm  
 Castroviejo  
 45.1654.08 15mm  
 45.1664.08 20mm

1/1



Thornton  
 45.1662.00



Mendez  
 45.1666.00

1/1



Bores  
 45.1670.04 4  
 45.1674.06 6  
 45.1678.00 8  
 45.1682.12 12  
 45.1686.16 16

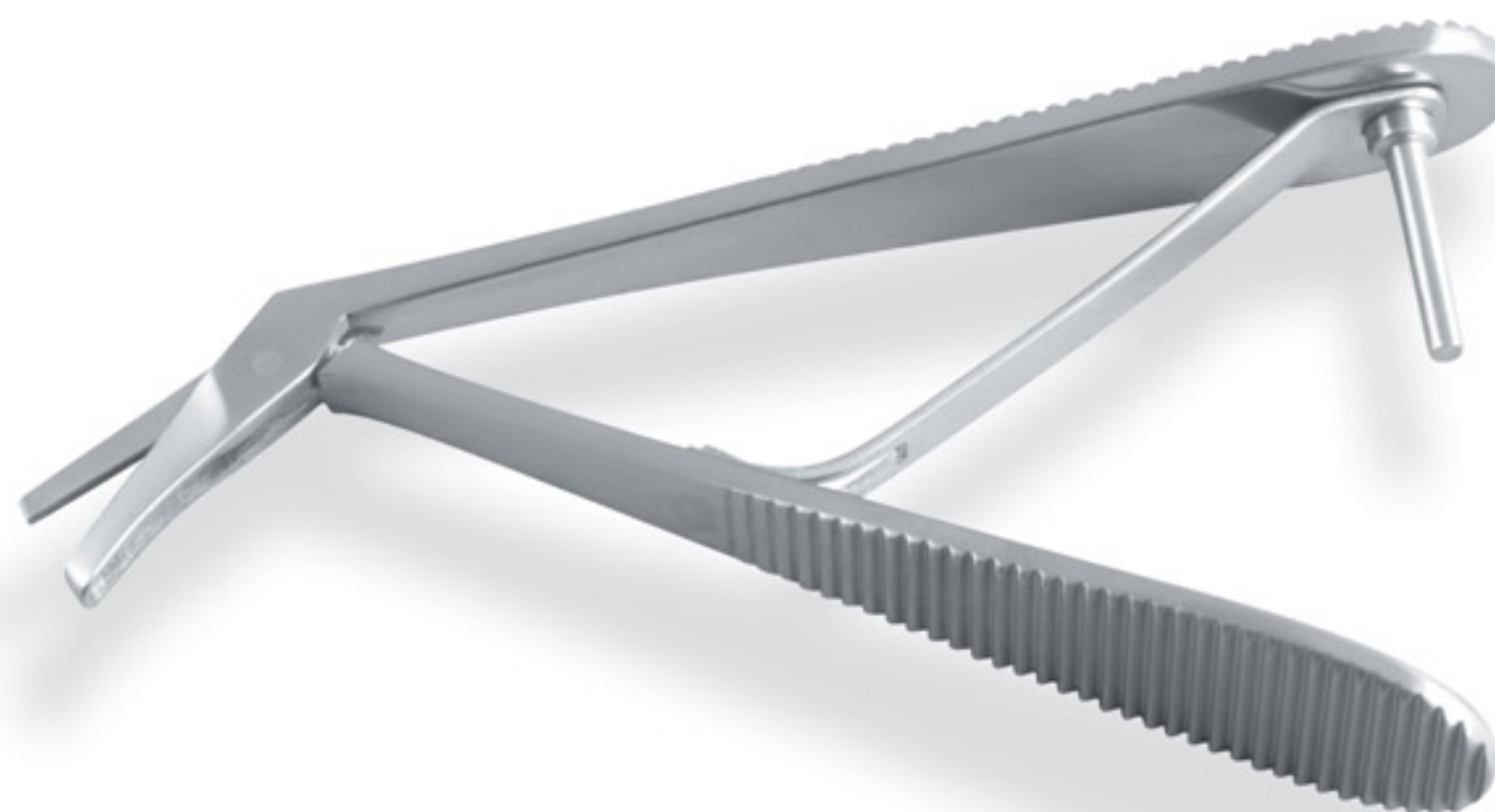


Bowmann (Williams)  
 45.1326.00 fig.00 0.7 mm  
 45.1330.00 fig.0 0.8 mm  
 45.1334.00 fig.1 0.9 mm  
 45.1338.00 fig.2 1.1 mm  
 45.1342.00 fig.3 1.3 mm  
 45.1346.00 fig.4 1.4 mm  
 45.1350.00 fig.5 1.5 mm  
 45.1354.00 fig.6 1.6 mm  
 45.1358.00 fig.7 1.8 mm  
 45.1362.00 fig.8 1.9 mm

Ear Punches  
Ear Punches  
Gouges, Osteotomes Emport-pieces



Kerrison  
45.1704.00



Holth  
45.1658.00



Mod Hamberg  
45.1938.00



Simcoe  
45.1942.00



Mod Bonn  
45.1946.00



Scheie  
45.1950.00



Mod Tubingen  
45.1954.00



Scheie  
45.1958.00



Simcoe  
45.1972.00 13 mm  
45.1976.00 21 mm



Irrigating Vectis  
45.1980.00



Lacrimonal  
45.1984.00



Jensen  
45.1988.00 25 gauge  
45.1992.00 23 gauge



Castroviejo  
45.1994.00



Straight

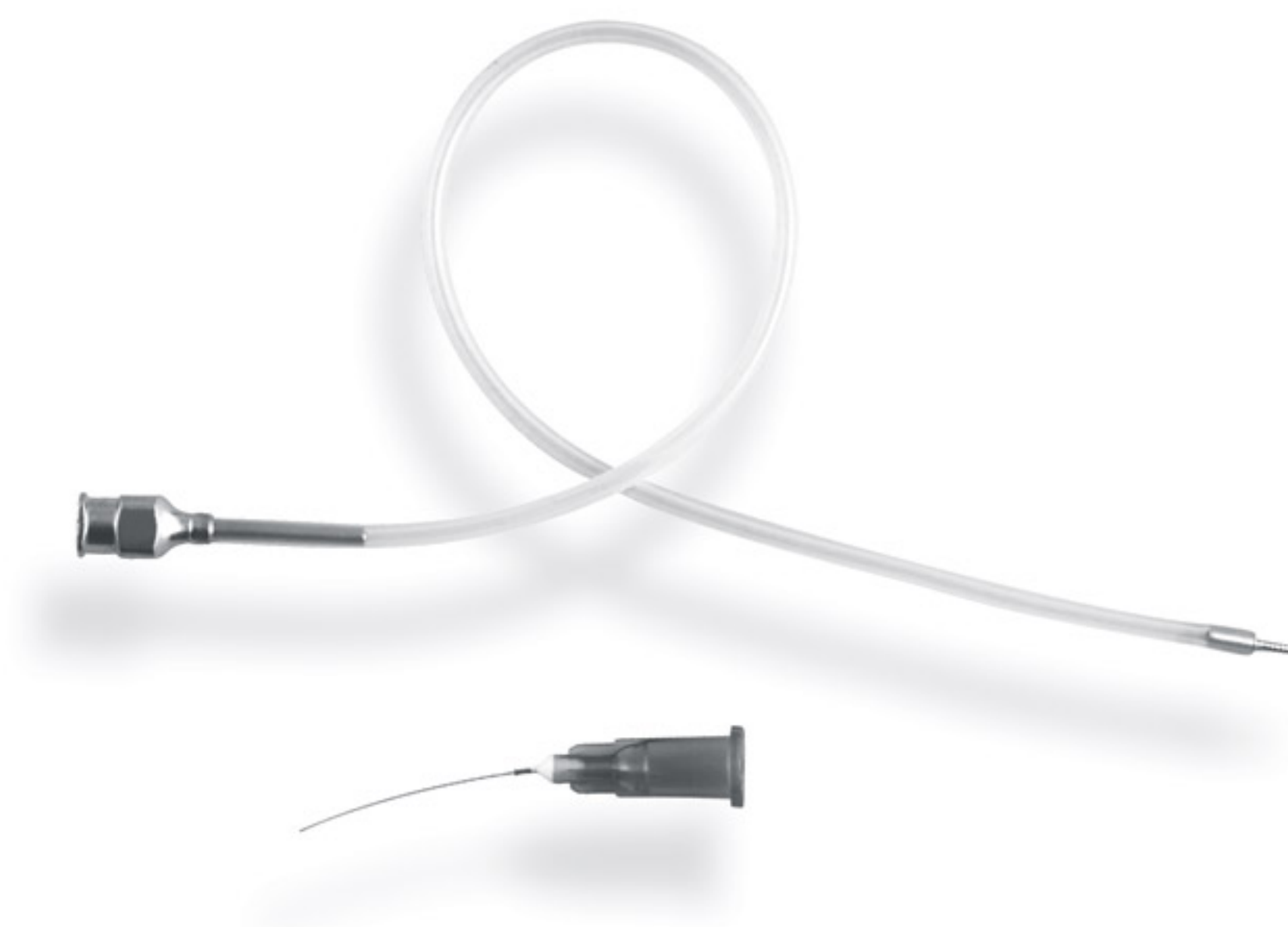


Angled

McIntyre		
45.1998.00	23 gauge	Straight
45.2002.00	23 gauge	Angled
45.2006.00	26 gauge	Straight
45.2010.00	26 gauge	Angled
45.2012.00	30 gauge	Straight
45.2014.00	30 gauge	Angled



Simcoe  
45.2016.00



Chamber Maintainer  
45.2020.00 25 gauge  
45.2024.00 23 gauge  
45.2028.00 20 gauge









## **GLORIOUS ENTERPRISES**

P.O.Box:63, Vaerkstedsgarden 9,  
DK - 2620 Albertslund, DENMARK  
Tel: 0045 43 622693  
Fax: 0045 43 622611  
E-mail: [glorious@mail.dk](mailto:glorious@mail.dk)